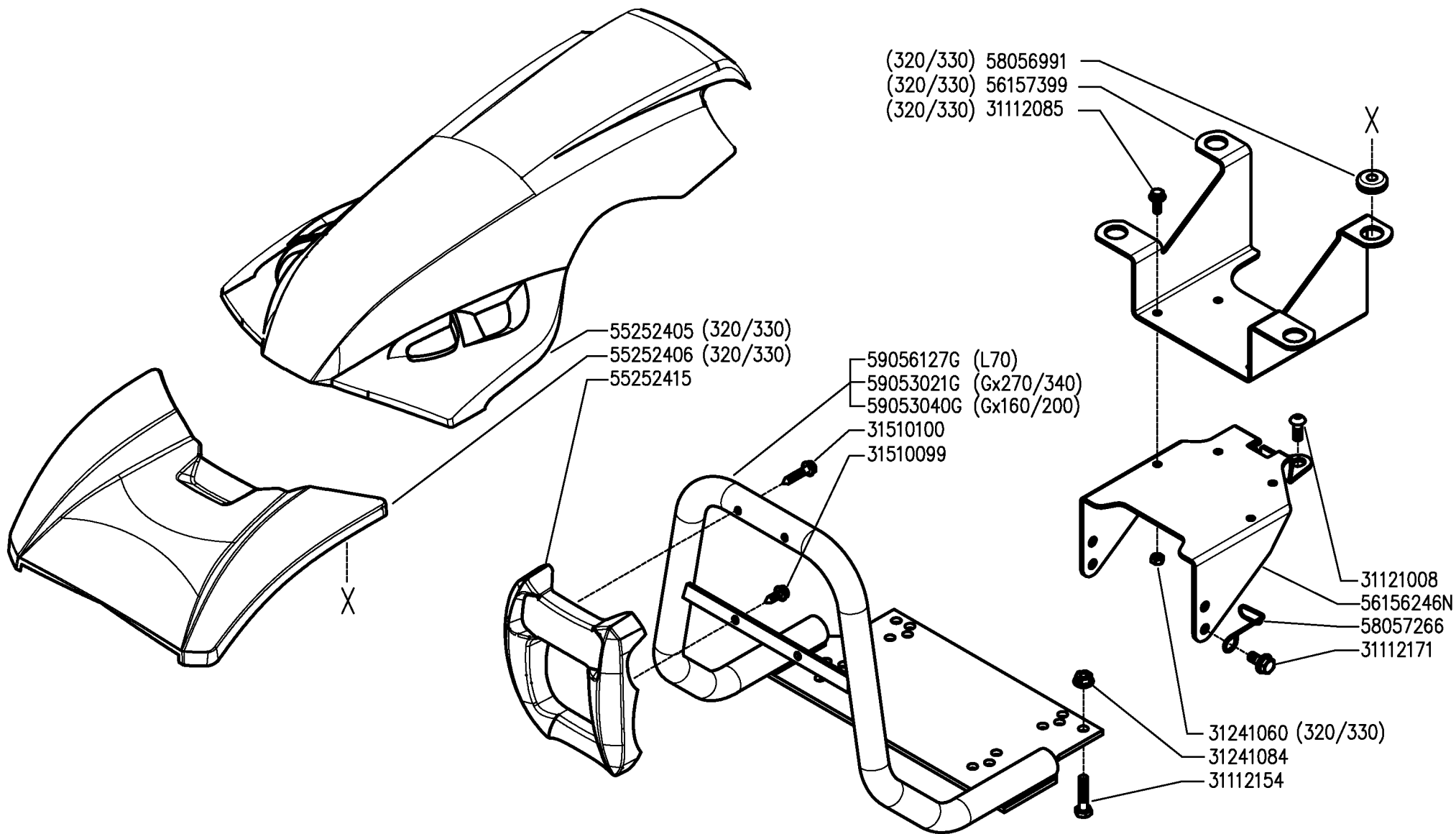


Inhoudsopgave

Drijfwerk Filter 02	30
Drijfwerkhuis 01	42
Elecktrisch 01	78
Handels & Kabels 01	62
Kappen 03	10
Koppel Asjes 01	34
Koppeling 02	24
Motor Flenzen 01	38
Powersafe 03	18
Remmen 01	70
Schakelpoken 00	64
Stickers 02	82
Stuur & Kabels 01	58
Stuurboom 00	54
Tandwielen 01	48
Type Stickers 01	86
Wielas 00	52
Wielen & Banden 01	74
Parts Index	88

Code	Description	Notes
A01_0_66711	A01_00 - ENGINE PROTECTIONES	
A.01.01.A0003_01	A01_01 - ENGINE PROTECTIONES	
A.01.01.A0003_02	A01_02 - ENGINE PROTECTIONES	
A.01.01.A0003_03	A01_03 - ENGINE PROTECTIONES	
B01_0_66748	B01_00 - POWERSAFE CLUCH CONTROL	
B01_1_72788	B01_01 - POWERSAFE CLUCH CONTROL	
B01_2_77329	B01_02 - POWERSAFE CLUCH CONTROL	
B.01.01.A0001_03	B01_03 - POWERSAFE CLUCH CONTROL	
C01_0_66780	C01_00 - CYLINDER AND POWERSAFE CLUTCH	
C01_1_72820	C01_01 - CYLINDER AND POWERSAFE CLUTCH	
C.01.01.A0001_02	C01_02 - CYLINDER AND POWERSAFE CLUTCH	
D01_0_66794	D01_00 - POWERSAFE FILTER UNIT	
D01_1_77361	D01_01 - POWERSAFE FILTER UNIT	
D.01.01.A0001_02	POWERSAFE FILTER UNIT	
E01_0_66804	E01_00 - POWERSAFE CLUTCH HUB	
E01_1_77371	E01_01 - POWERSAFE CLUTCH HUB	
F01_0_66821	F01_00 - ENGINE FLANGES	
F01_1_77388	F01_01 - ENGINE FLANGES	
G01_0_66844	GEARBOX	
G.01.01.A0003_01	GEARBOX	
H02_0_66927	GEARS	
H.02.02.A0003_01	INGRANAGGI CAMBIO (320-330)	
I01_0_67010	WHEELS AXLE	
J02_0_67169	STEERING COLUMN	
K02_0_67241	HANDLEBAR	
K.02.01.A0003_01	HANDLEBAR	
L02_0_67324	HANDLEBAR CONTROLS	
L.02.01.A0003_01	HANDLEBAR CONTROLS	
M02_0_67438	CONTROLS	
N01_0_67516	BRAKE	
N.01.01.A0003_01	BRAKE	
P01_0_67539	P01_00 - WHEELS	
P01_1_81340	P01_01 - WHEELS	
Q01_0_67569	Q01_00 - ELECTRIC STARTER	

Code	Description	Notes
Q01_1_81859	Q01_01 - ELECTRIC STARTER	
R01_0_67594	R01_00 - STICKERS	
R.02.01.A0003_02	R02_02 - STICKERS	
R02_0_67613	R02_00 - STICKERS	
R02_1_82042	R02_01 - STICKERS	



300 serie PS
PowerSafe®

ENGINE PROTECTIONS
PROTECCIONES MOTOR

PROTEZIONI MOTORE
(310 / 320 / 330)

PROTECTIONS MOTEUR
MOTORSCHUTZ

DALLA MACCHINA
DE LA MAQUINA
DE LA MAQUINA
FROM THE MACHINE
AB DER MASCHINE

N.

A01

05/2009

Rev.

0

Pos.	Code	Q.ty	Description	Notes
31112085	31112085	1	SCREW TE M6X16 DIN 6921 8G	
31112154	31112154	1	SCREW TE M8X40 UNI 5739 8G	
31112171	31112171	1	SCREW TE C/F M8X16 DIN 6921	
31121008	31121008	1	SCREW TBCEI M10X16 ISO 7380	
31241060	31241060	1	HEXAGON SELFLOCK NUT M6	
31241084	31241084	1	SELFLOCK NUT M8 6S	
31510099	31510099	1	RIBBED SCREW 6,3X38 UNI 6950	
31510100	31510100	1	RIBBED SCREW 6,3X19 UNI 6950	
55252405	55252405	1	GUARD	
55252406	55252406	1	GUARD	
55252415	55252415	1	GUARD	
56157399	56157399	1	HOLDER	
58056991	58056991	1	CABLE GLAND	
58057266	58057266	1	HOLDER	
56156246	56156246N	1	TUNNEL	
59053021	59053021G	1	COMPLETE BUMPERS	
59053040	59053040G	1	COMPLETE BUMPERS	
59056127	59056127G	1	COMPLETE BUMPERS	

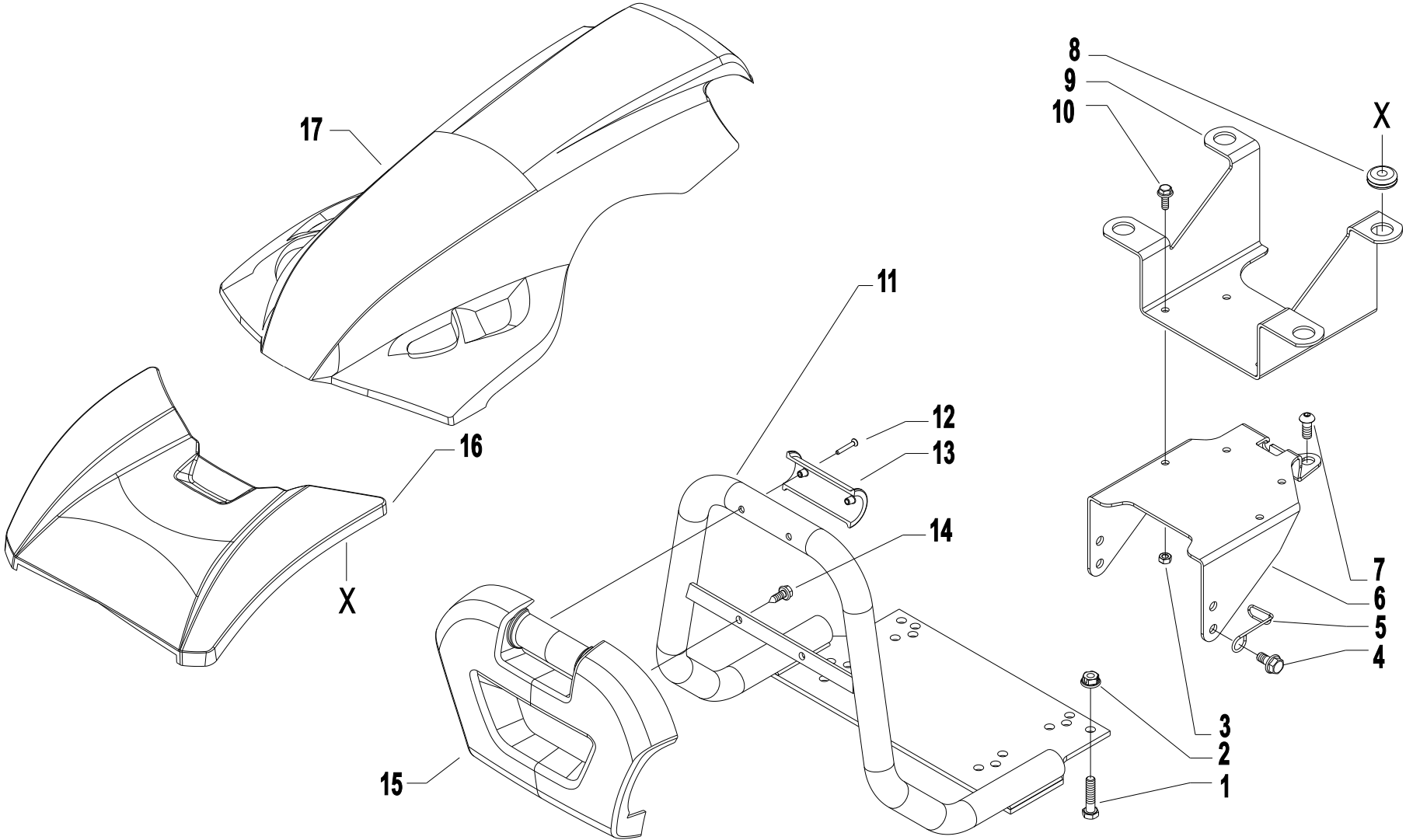


A01_01 - ENGINE PROTECTIONES

CODE REV

SERIAL START 857706

A.01.01.A0003_01



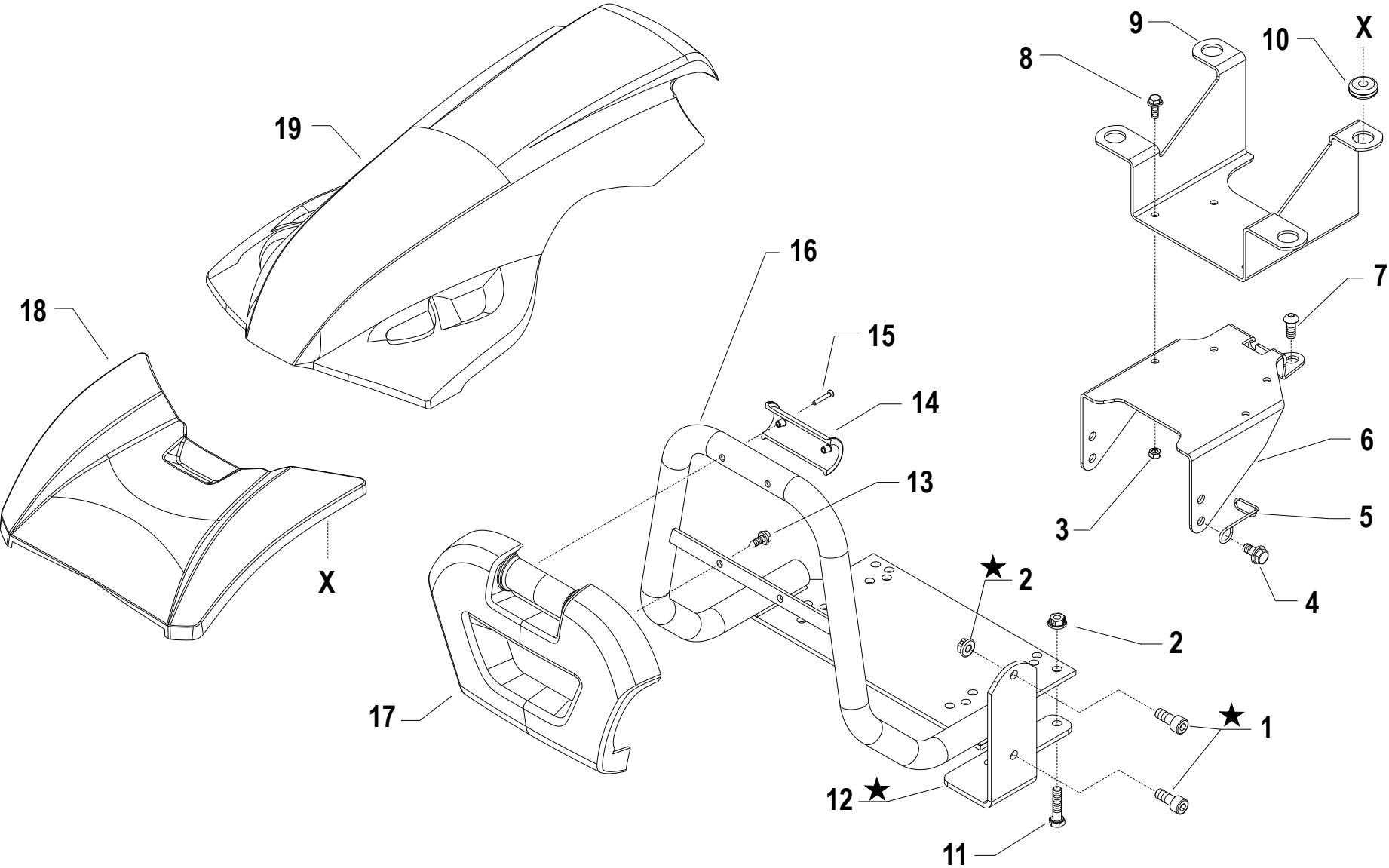
Pos.	Code	Q.ty	Description	Notes
1	31112154	1	SCREW TE M8X40 UNI 5739 8G	
2	31241084	1	SELFLOCK NUT M8 6S	
3	31241060	1	HEXAGON SELFLOCK NUT M6	
4	31112171	1	SCREW TE C/F M8X16 DIN 6921	
5	58057266	1	HOLDER	
6	56156246N	1	TUNNEL	
7	31121008	1	SCREW TBCEI M10X16 ISO 7380	
8	58056991	1	CABLE GLAND	
9	56157399	1	HOLDER	
10	31112085	1	SCREW TE M6X16 DIN 6921 8G	
11	59053021H	1	BUMPER C.15LD-ACT-GX ALUM.	For motors GX270/340
11	59053040H	1	ALU COMPLETE BUMPER GX160-200	For motors GX160/200-EX21
11	59056127H	1	BUMPER FOR 740	For engine L70
12	31100451	1	SCREW 3,5X25	Replaces 55252415
13	55257522	1	HALF BEARING	Replaces 55252415
14	31510100	1	RIBBED SCREW 6,3X19 UNI 6950	Replaces 55252415
15	55252503	1	FREGIO ANT.MC 2010 FERRARI	Replaces 55252415
16	55252406	1	GUARD	
17	55252405	1	GUARD	

SERIAL
START
857706

A01_01 - ENGINE PROTECTIONES

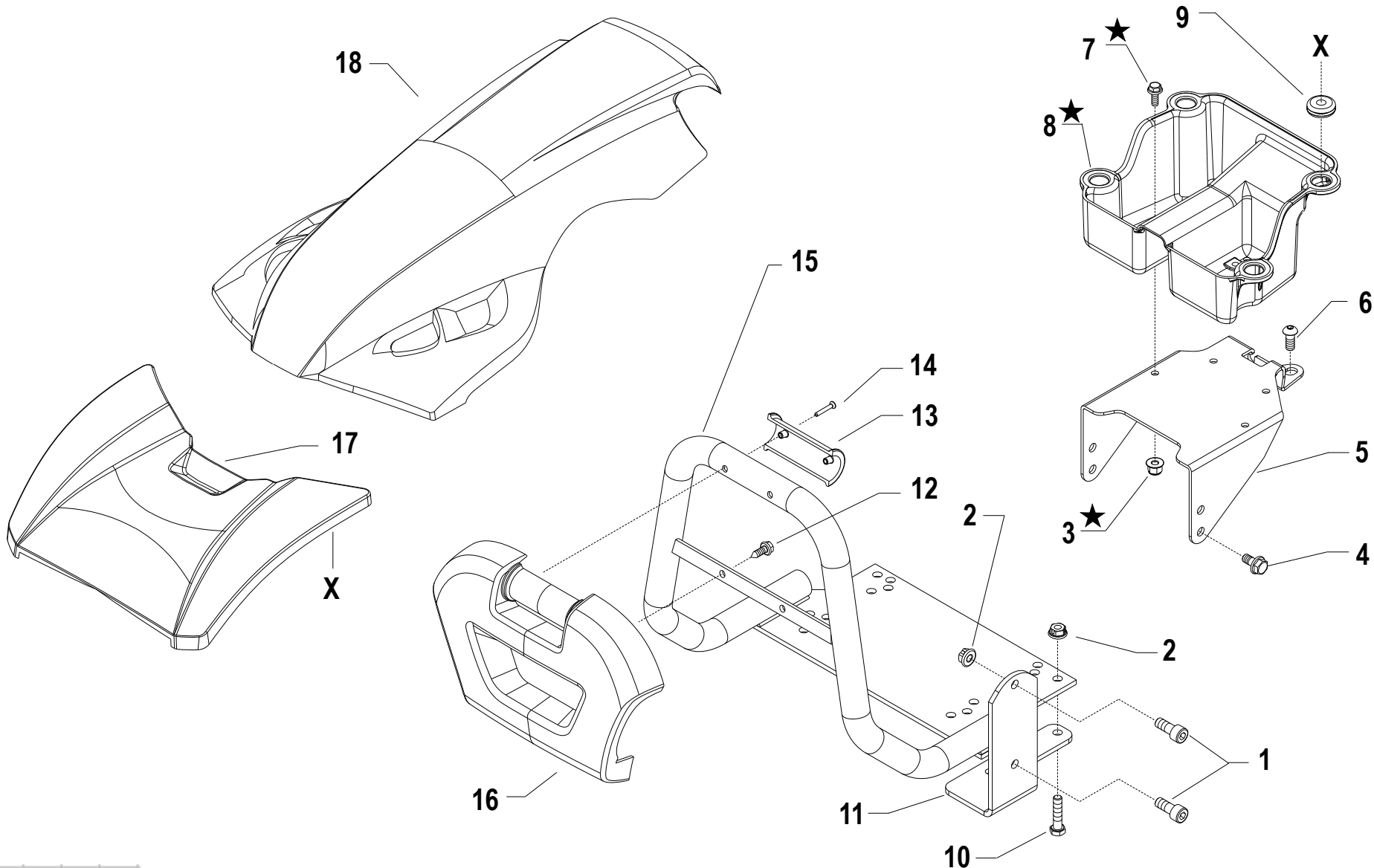
CODE REV

A.01.01.A0003_01



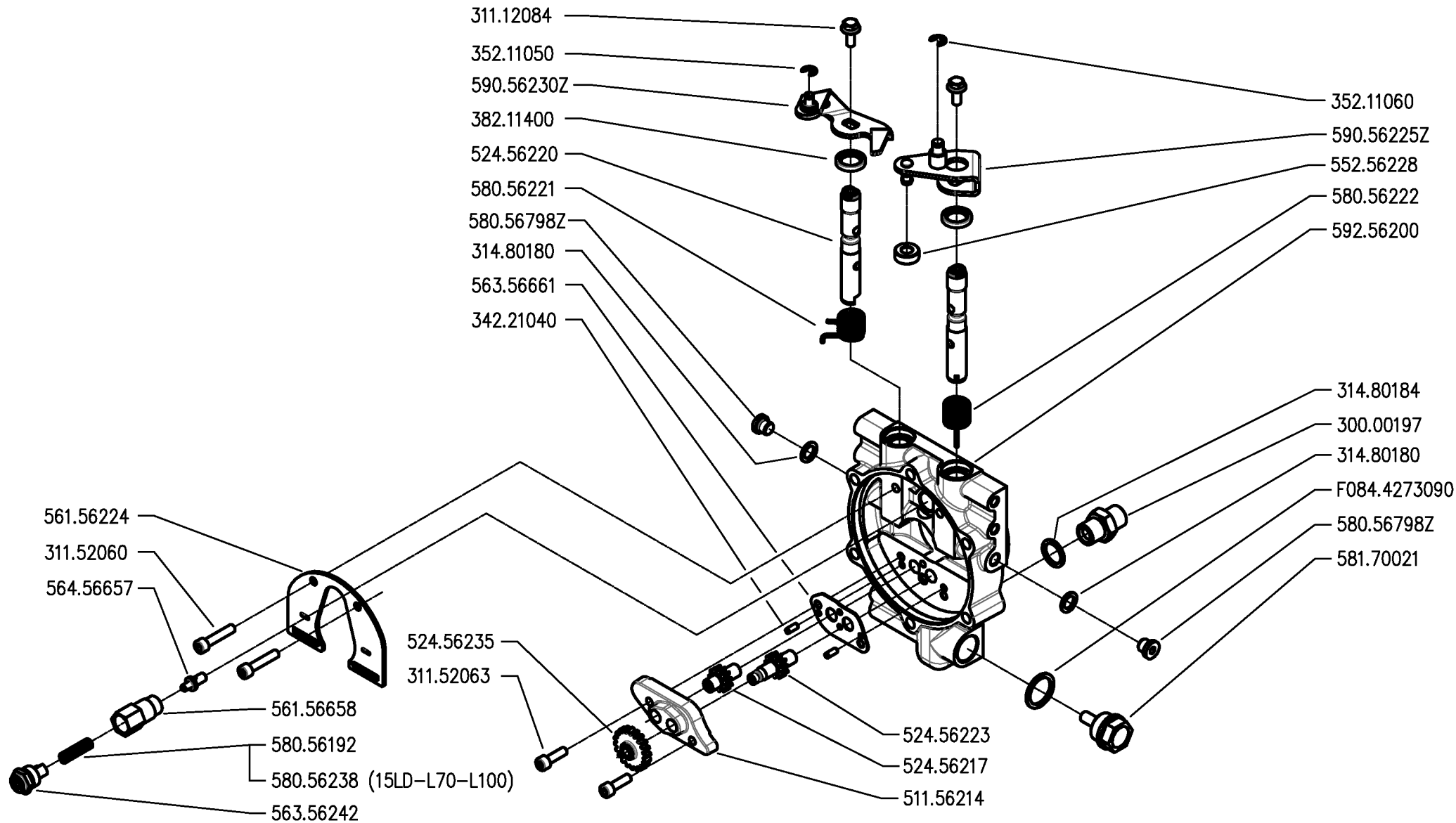
i = info - stop 2 sec. ★ = new part

Pos.	Code	Q.ty	Description	Notes
1	31152081		SCREW TCEI M8X20 UNI 5931	KD350
2	31241084		SELFLOCK NUT M8 6S	KD350
3	31241060		HEXAGON SELFLOCK NUT M6	320 - 330
4	31112171		SCREW TE C/F M8X16 DIN 6921	
5	58057266		HOLDER	
6	56156246N		TUNNEL	
7	31121008		SCREW TBCEI M10X16 ISO 7380	
8	31112085		SCREW TE M6X16 DIN 6921 8G	320 - 328 - 330 - 338
9	56157399		HOLDER	320 - 328 - 330 - 338
10	58056991		CABLE GLAND	320 - 328 - 330 - 338
11	31112154		SCREW TE M8X40 UNI 5739 8G	
12	56156136Z		BUMPER FIXING SUPPORT	KD350
13	31510100		RIBBED SCREW 6,3X19 UNI 6950	
14	55252504		HALF BEARING	
15	31100451		SCREW 3,5X25	
16	59053021H		BUMPER C.15LD-ACT-GX ALUM.	GX240 - GX340
16	59053040H		ALU COMPLETE BUMPER GX160-200	GX160 - GX200 - EX21
16	59056127H		BUMPER FOR 740	L70
17	55252503		FREGIO ANT.MC 2010 FERRARI	
18	55252406		GUARD	320 - 328 - 330 - 338
19	55252405		GUARD	320 - 328 - 330 - 338



i = info - stop 2 sec. ★ = new part

Pos.	Code	Q.ty	Description	Notes
1	31152081		SCREW TCEI M8X20 UNI 5931	KD350
2	31241084		SELFLOCK NUT M8 6S	KD350
3	31241066		SELFLOCK M6 FL NY DIN 6926	320 - 330
4	31112171		SCREW TE C/F M8X16 DIN 6921	
5	56156246N		TUNNEL	
6	31121008		SCREW TBCEI M10X16 ISO 7380	
7	31112081		SCREW TE C/F M6X20 DIN 6921 8G	
8	58056991		CABLE GLAND	
8	552C1001		COFANETTO SOST.CARENATURA	
10	31112154		SCREW TE M8X40 UNI 5739 8G	
11	56156136Z		BUMPER FIXING SUPPORT	KD350
12	31510100		RIBBED SCREW 6,3X19 UNI 6950	
13	55252504		HALF BEARING	
14	31100451		SCREW 3,5X25	
15	59053021H		BUMPER C.15LD-ACT-GX ALUM.	GX270 - GX340
15	59053040H		ALU COMPLETE BUMPER GX160-200	GX160 - GX200 - EX21
15	59056127H		BUMPER FOR 740	L70
16	55252503		FREGIO ANT.MC 2010 FERRARI	
17	55252406		GUARD	
18	55252405		GUARD	



300 serie PS
 PowerSafe®

COMANDO FRIZIONE POWERSAFE

POWERSAFE CLUTCH CONTROL
 CONTROL EMBRAGUE POWERSAFE

CONTRÔLE EMBRAYAGE POWERSAFE
 REGELUND POWERSAFE KUPPLUNG

DALLA MACCHINA
 DE LA MAQUINA
 DE LA MACHINA
 FROM THE MACHINE
 AB DER MASCHINE

N.

B01 0

05/2009

Rev.

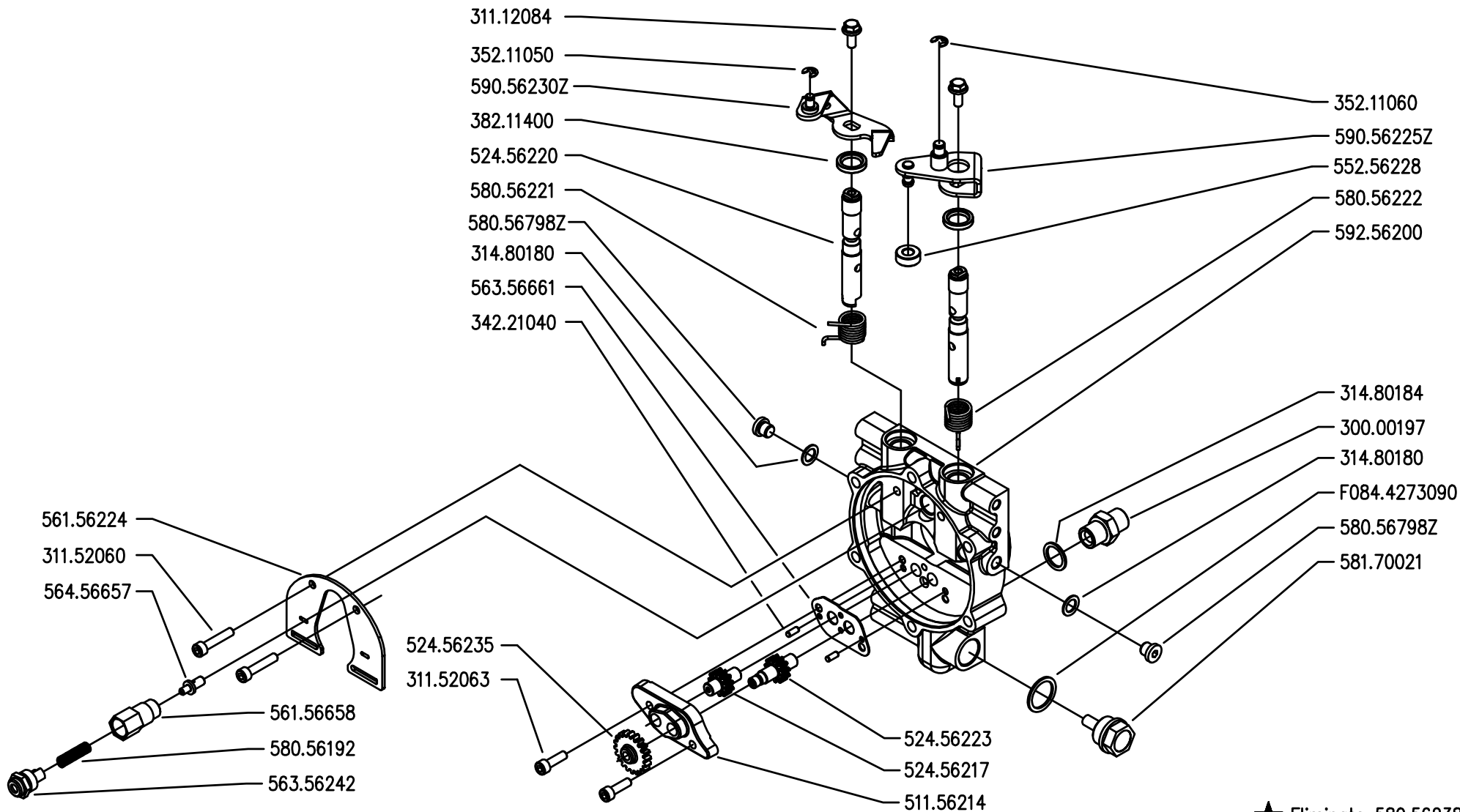
Pos.	Code	Q.ty	Description	Notes
30000197	30000197	1	NIPPLE	
31112084	31112084	1	SCREW TE C/F M6X14 DIN 6921 8G	
31152060	31152060	1	SCREW TCEI M6X30 UNI 5931	
31152063	31152063	1	SCREW TCEI M6X20 UNI 5931	
31480180	31480180	1	COPPER WASHER 10,2x16/1	
31480184	31480184	1	COPPER WASHER 16,7x22/1,5	
34221040	34221040	1	CYLINDRICAL PLUG	
35211050	35211050	1	SEEGER RING	
35211060	35211060	1	SEEGER RING	
38211400	38211400	1	OIL SEAL 14X22X4	
51156214	51156214	1	COVER	
52456217	52456217	1	DRIVEN GEAR	
52456220	52456220	1	DISTRIBUTOR	
52456223	52456223	1	GEAR	
52456235	52456235	1	PUMP GEAR	
55256228	55256228	1	ROLLER	
56156224	56156224	1	SHIELD	
56156658	56156658	1	VALVE SEAT	
56356242	56356242	1	PLUG	
56356661	56356661	1	COUNTERWEIGHT	
56456657	56456657	1	VALVE	
58056192	58056192	1	SPRING	
58056221	58056221	1	SPRING	
58056222	58056222	1	SPRING	
58056238	58056238	1	SPRING	
58170021	58170021	1	PLUG	
59256200	59256200	1	CLUTCH FLANGE	
58056798	58056798Z	1	PLUG	
59056225	59056225Z	1	CLUTCH LEVER	
59056230	59056230Z	1	LEVER	
F0844273	F0844273090	1	GASKET 22X28X1,5 CU 99,5	

SERIAL

B01_00 - POWERSAFE CLUCH CONTROL

CODE REV

B01_0_66748



★ Eliminato 580.56238



300 serie PS
 PowerSafe®

COMANDO FRIZIONE POWERSAFE

POWERSAFE CLUTCH CONTROL
 CONTROL EMBRAGUE POWERSAFE

CONTRÔLE EMBRAYAGE POWERSAFE
 REGELUND POWERSAFE KUPPLUNG

DALLA MACCHINA
 DE LA MAQUINA
 DE LA MACHINA
 FROM THE MACHINE
 AB DER MASCHINE



N.

852604

B01

Rev.
 1

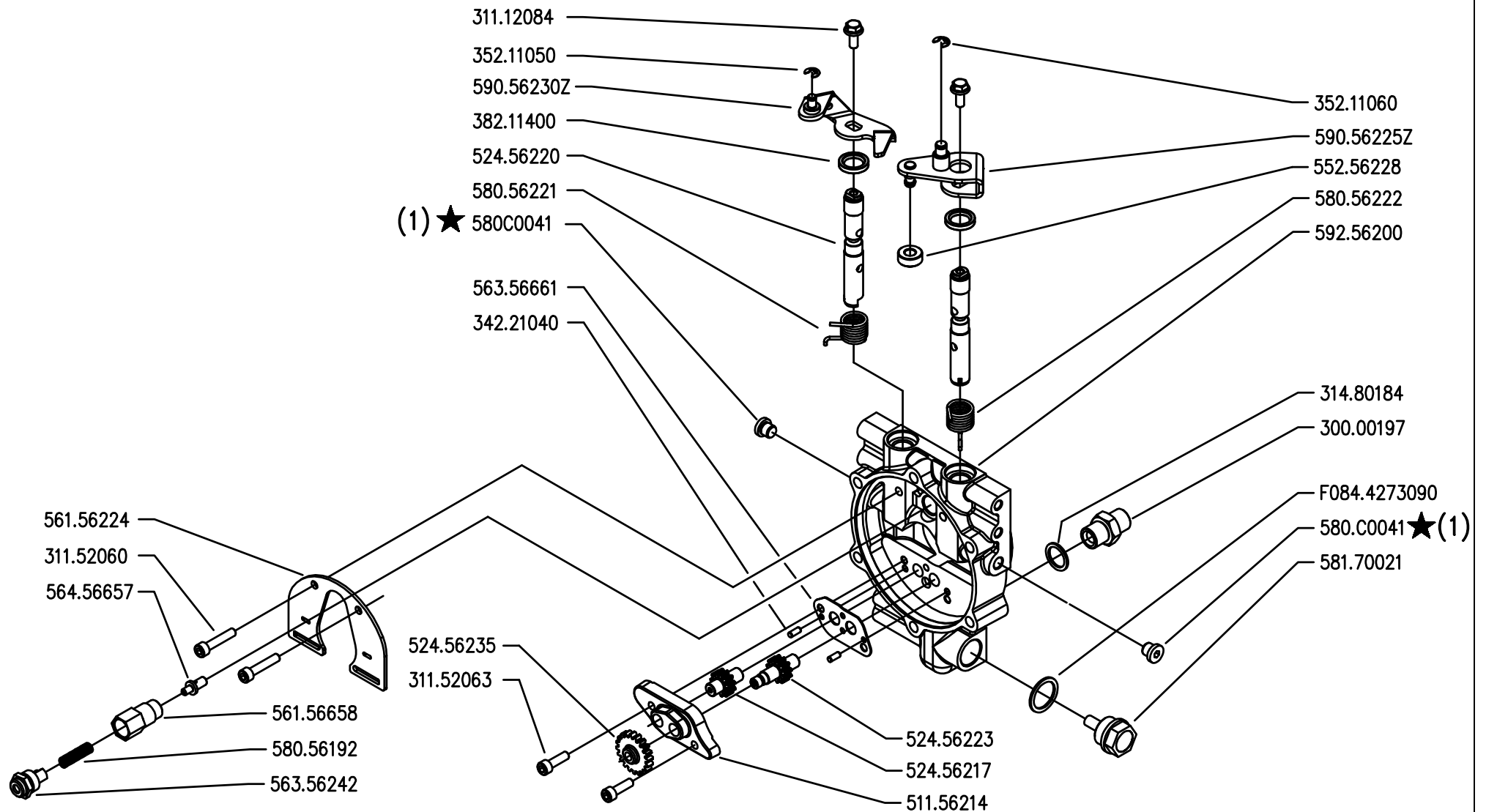
04/2010

Pos.	Code	Q.ty	Description	Notes
30000197	30000197	1	NIPPLE	
31112084	31112084	1	SCREW TE C/F M6X14 DIN 6921 8G	
31152060	31152060	1	SCREW TCEI M6X30 UNI 5931	
31152063	31152063	1	SCREW TCEI M6X20 UNI 5931	
31480180	31480180	1	COPPER WASHER 10,2x16/1	
31480184	31480184	1	COPPER WASHER 16,7x22/1,5	
34221040	34221040	1	CYLINDRICAL PLUG	
35211050	35211050	1	SEEGER RING	
35211060	35211060	1	SEEGER RING	
38211400	38211400	1	OIL SEAL 14X22X4	
51156214	51156214	1	COVER	
52456217	52456217	1	DRIVEN GEAR	
52456220	52456220	1	DISTRIBUTOR	
52456223	52456223	1	GEAR	
52456235	52456235	1	PUMP GEAR	
55256228	55256228	1	ROLLER	
56156224	56156224	1	SHIELD	
56156658	56156658	1	VALVE SEAT	
56356242	56356242	1	PLUG	
56356661	56356661	1	COUNTERWEIGHT	
56456657	56456657	1	VALVE	
58056192	58056192	1	SPRING	
58056221	58056221	1	SPRING	
58056222	58056222	1	SPRING	
58170021	58170021	1	PLUG	
59256200	59256200	1	CLUTCH FLANGE	
58056798	58056798Z	1	PLUG	
59056225	59056225Z	1	CLUTCH LEVER	
59056230	59056230Z	1	LEVER	
F0844273	F0844273090	1	GASKET 22X28X1,5 CU 99,5	

SERIAL
START
852604

B01_01 - POWERSAFE CLUCH CONTROL

CODE REV
B01_1_72788



(1) sostituisce (580.56798Z + 314.80180)



300 serie PS
PowerSafe®

COMANDO FRIZIONE POWERSAFE

POWERSAFE CLUTCH CONTROL
CONTROL EMBRAGUE POWERSAFE

CONTRÔLE EMBRAYAGE POWERSAFE
REGELUND POWERSAFE KUPPLUNG

DALLA MACCHINA
DE LA MAQUINA
DE LA MACHINA
FROM THE MACHINE
AB DER MASCHINE



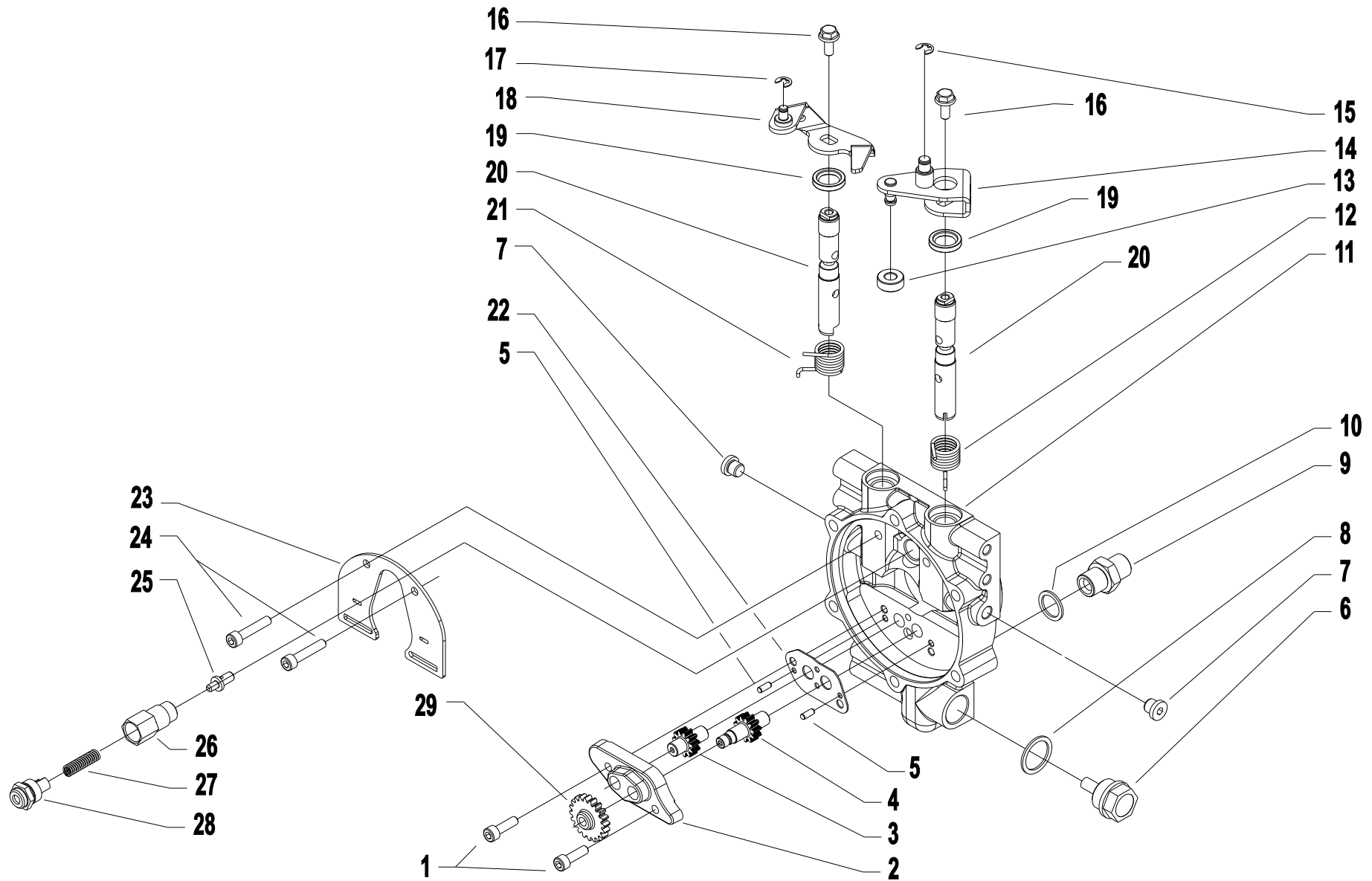
N.

AGGIORNAMENTO
APLAZAMIENTO
MISE A JOUR
REVISION
ANPASSUNG

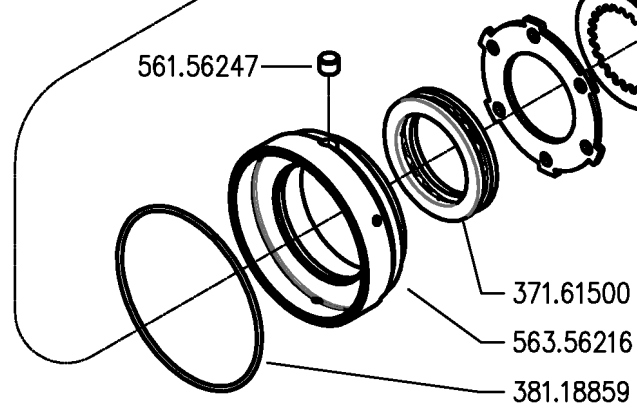
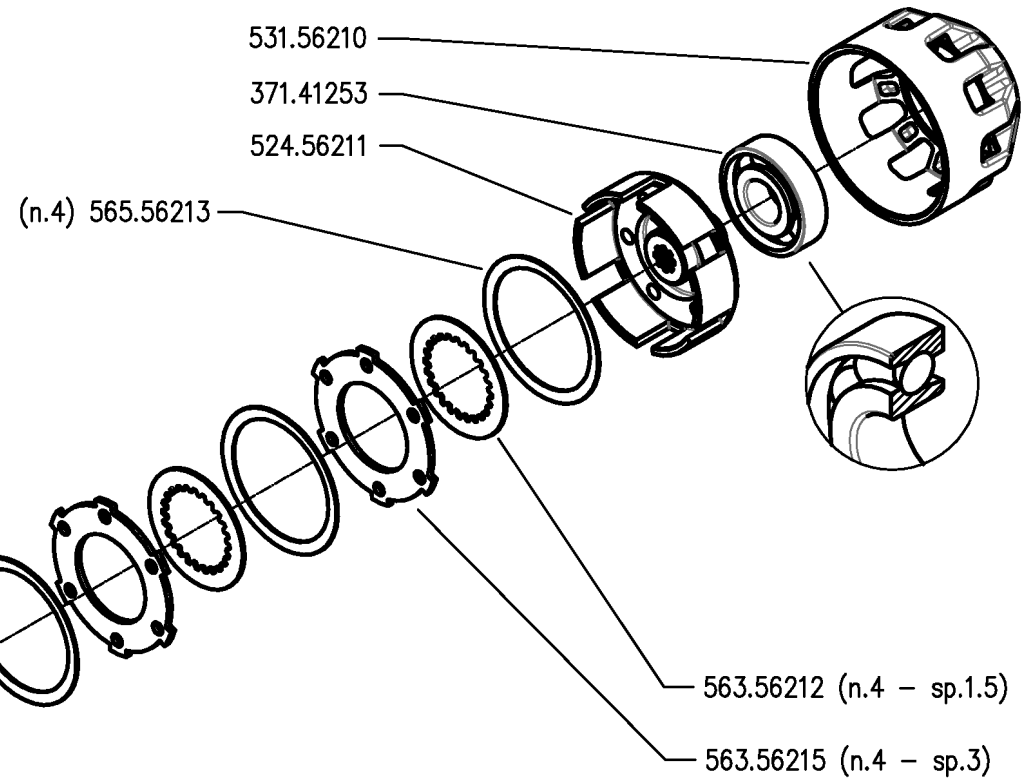
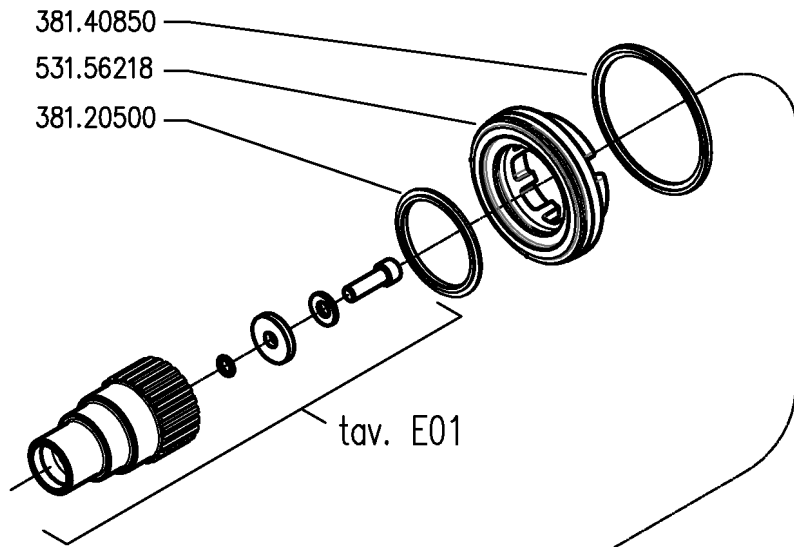
B01 2
09/2010

Rev.

Pos.	Code	Q.ty	Description	Notes
31112084	31112084	1	SCREW TE C/F M6X14 DIN 6921 8G	
31152060	31152060	1	SCREW TCEI M6X30 UNI 5931	
31152063	31152063	1	SCREW TCEI M6X20 UNI 5931	
31480184	31480184	1	COPPER WASHER 16,7x22/1,5	
34221040	34221040	1	CYLINDRICAL PLUG	
35211050	35211050	1	SEEGER RING	
35211060	35211060	1	SEEGER RING	
38211400	38211400	1	OIL SEAL 14X22X4	
51156214	51156214	1	COVER	
52456217	52456217	1	DRIVEN GEAR	
52456220	52456220	1	DISTRIBUTOR	
52456223	52456223	1	GEAR	
52456235	52456235	1	PUMP GEAR	
55256228	55256228	1	ROLLER	
56156224	56156224	1	SHIELD	
56156658	56156658	1	VALVE SEAT	
56356242	56356242	1	PLUG	
56356661	56356661	1	COUNTERWEIGHT	
56456657	56456657	1	VALVE	
58056192	58056192	1	SPRING	
58056221	58056221	1	SPRING	
58056222	58056222	1	SPRING	
580C0041	580C0041	1	PLUG	
58170021	58170021	1	PLUG	
59256200	59256200	1	CLUTCH FLANGE	
59056225	59056225Z	1	CLUTCH LEVER	
59056230	59056230Z	1	LEVER	
F0844273	F0844273090	1	GASKET 22X28X1,5 CU 99,5	



Pos.	Code	Q.ty	Description	Notes
1	31152063	1	SCREW TCEI M6X20 UNI 5931	
2	51156214	1	COVER	
3	52456217	1	DRIVEN GEAR	
4	52456223	1	GEAR	
5	34221040	1	CYLINDRICAL PLUG	
6	58170021	1	PLUG	
7	580C0041	1	PLUG	
8	F0844273090	1	GASKET 22X28X1,5 CU 99,5	
9	30000197	1	NIPPLE	
10	31480184	1	COPPER WASHER 16,7x22/1,5	
11	59256200	1	CLUTCH FLANGE	
12	58056222	1	SPRING	
13	55256228	1	ROLLER	
14	59056225Z	1	CLUTCH LEVER	
15	35211060	1	SEEGER RING	
16	31112084	1	SCREW TE C/F M6X14 DIN 6921 8G	
17	35211050	1	SEEGER RING	
18	59056298Z	1	LEVER	Replaces 59056230Z from serial 901289
19	38211400	1	OIL SEAL 14X22X4	
20	52456220	1	DISTRIBUTOR	
21	58056221	1	SPRING	
22	56356661	1	COUNTERWEIGHT	
23	56156224	1	SHIELD	
24	31152060	1	SCREW TCEI M6X30 UNI 5931	
25	56456657	1	VALVE	
26	56156658	1	VALVE SEAT	
27	58056683	1	SPRING	Replaces 58056192 from serial number 883609
28	56356242	1	PLUG	
29	52456235	1	PUMP GEAR	



300 serie PS
PowerSafe®

CILINDRO E FRIZIONE POWERSAFE

CYLINDER AND POWERSAFE CLUTCH

CILINDRO Y EMBRAGUE POWERSAFE

CYLINDER ET EMBRAYAGE POWERSAFE

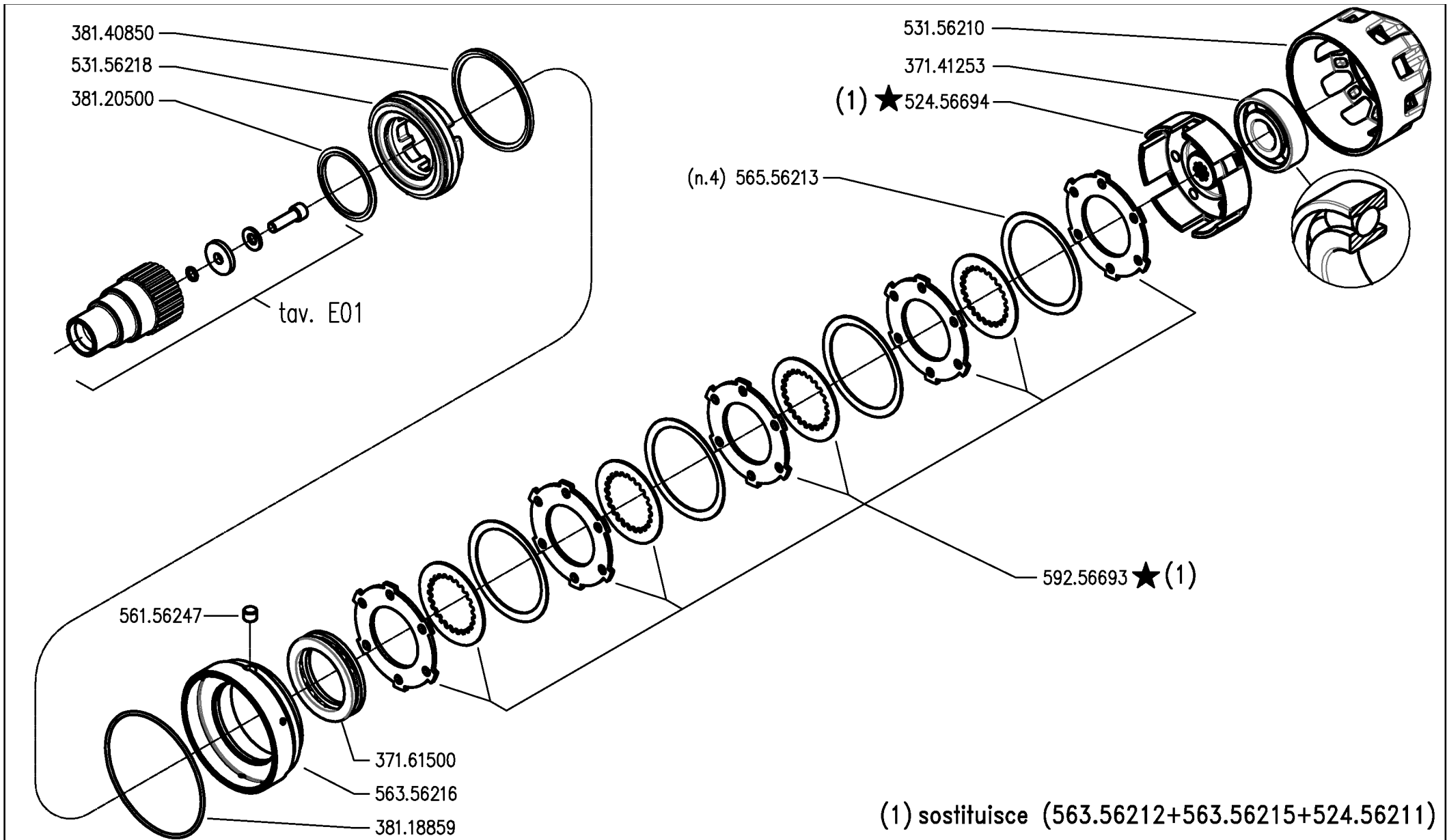
ZILINDER UND POWERSAFE KUPPLUNG

DALLA MACCHINA
DE LA MAQUINA
DE LA MACHINA
FROM THE MACHINE
AB DER MASCHINE

N.

	Rev.
C01	0
05/2009	

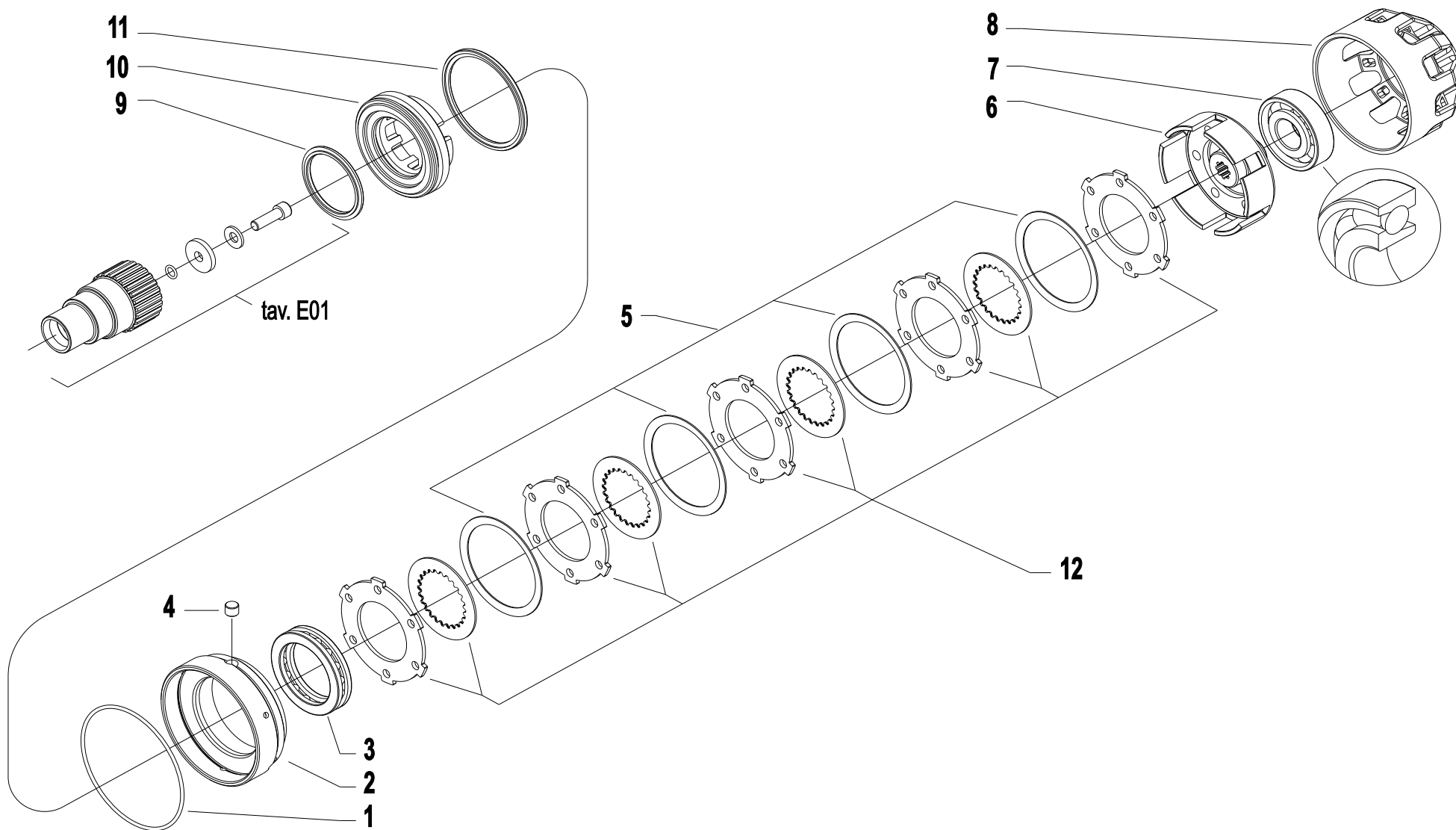
Pos.	Code	Q.ty	Description	Notes
37141253	37141253	1	BEARING	
37161500	37161500	1	BEARING	
38118859	38118859	1	O-RING	
38120500	38120500	1	RING	
38140850	38140850	1	RING	
52456211	52456211	1	CLUTCH HOUSING	
53156210	53156210	1	SUMP	
53156218	53156218	1	PISTON	
56156247	56156247	1	PIN	
56356212	56356212	1	DISC	
56356215	56356215	1	DISC	
56356216	56356216	1	RING	
56556213	56556213	1	SPRING	



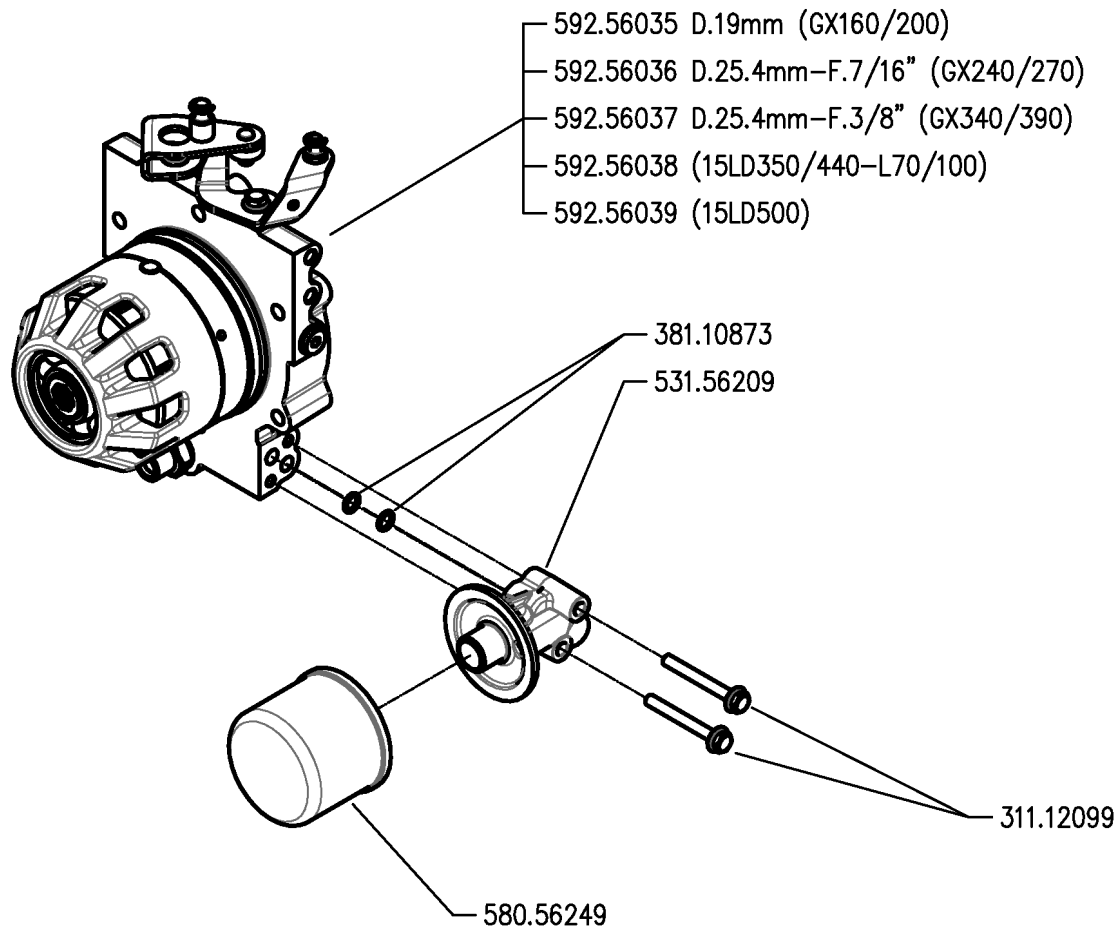
(1) sostituisce (563.56212+563.56215+524.56211)

	300 serie PS PowerSafe®	CILINDRO E FRIZIONE POWERSAFE		DALLA MACCHINA DE LA MAQUINA DE LA MACHINA FROM THE MACHINE AB DER MASCHINE	Rev. 1
		CYLINDER AND POWERSAFE CLUTCH CILINDRO Y EMBRAGUE POWERSAFE	CYLINDER ET EMBRAYAGE POWERSAFE ZILINDER UND POWERSAFE KUPPLUNG		
			852604		1/6

Pos.	Code	Q.ty	Description	Notes
37141253	37141253	1	BEARING	
37161500	37161500	1	BEARING	
38118859	38118859	1	O-RING	
38120500	38120500	1	RING	
38140850	38140850	1	RING	
52456694	52456694	1	FRICTION BELL	
53156210	53156210	1	SUMP	
53156218	53156218	1	PISTON	
56156247	56156247	1	PIN	
56356216	56356216	1	RING	
56556213	56556213	1	SPRING	
59256693	59256693	1	9 DISC CLUTCH	



Pos.	Code	Q.ty	Description	Notes
1	38118859	1	O-RING	
2	56356216	1	RING	
3	37161500	1	BEARING	
4	56156247	1	PIN	
5	56556213	1	SPRING	
6	52456694	1	FRICTION BELL	Replaces 56356212 + 56356215 + 52456211
7	37141253	1	BEARING	
8	53156210	1	SUMP	
9	38120500	1	RING	
10	53156218	1	PISTON	
11	38140850	1	RING	
12	59256693	1	9 DISC CLUTCH	Replaces 56356212 + 56356215 + 52456211



300 serie PS
PowerSafe®

GRUPPO FILTRO POWERSAFE

POWERSAFE FILTER UNIT

FILTRO POWERSAFE

FILTRE POWERSAFE

POWERSAFE FILTER

DALLA MACCHINA
 DE LA MAQUINA
 DE LA MACHINA
 FROM THE MACHINE
 AB DER MASCHINE

N.

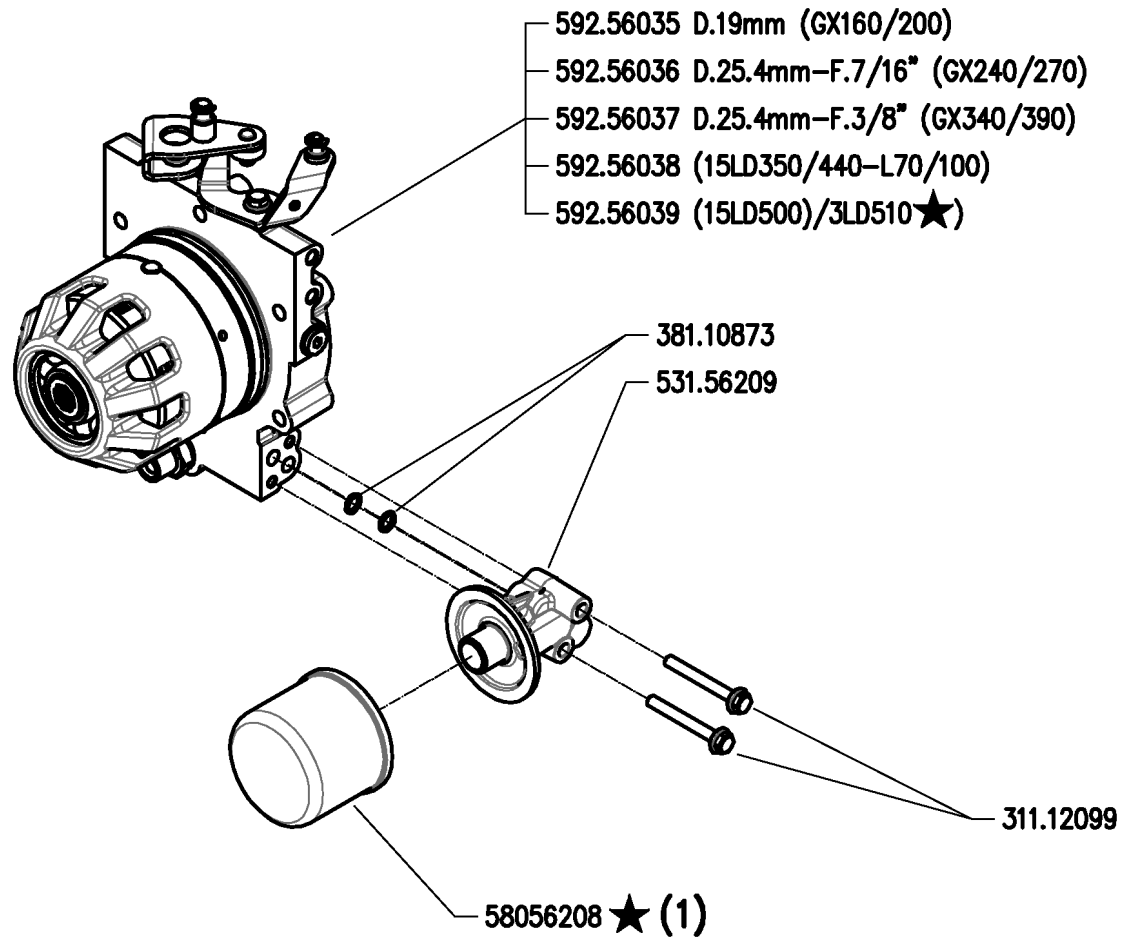
D01

Rev.

0

05/2009

Pos.	Code	Q.ty	Description	Notes
31112099	31112099	1	SCREW TE C/F M6X50 DIN 6921 8G	
38110873	38110873	1	O-RING	
53156209	53156209	1	CONNECTION	
58056249	58056249	1	FILTER	
59256035	59256035	1	POWERSAFE CLUTCH ASSY Q19	
59256036	59256036	1	POWERSAFE CLUTCH	
59256037	59256037	1	CLUTCH FOR POWERSAFE Q25.4 (3/8)	
59256038	59256038	1	POWERSAFE CLUTCH	
59256039	59256039	1	POWERSAFE CLUTCH ASSY	



(1) sostituisce 580.56249



300 serie PS
 PowerSafe®

GRUPPO E FILTRO POWERSAFE

POWERSAFE FILTER AND UNIT

FILTRO POWERSAFE

FILTRE POWERSAFE

POWERSAFE FILTER

DALLA MACCHINA
 DE LA MAQUINA
 DE LA MACHINA
 FROM THE MACHINE
 AB DER MASCHINE

★ N.

AGGIORNAMENTO

APLAZAMIENTO

MISE A JOUR

REVISION

ANPASSUNG

D01

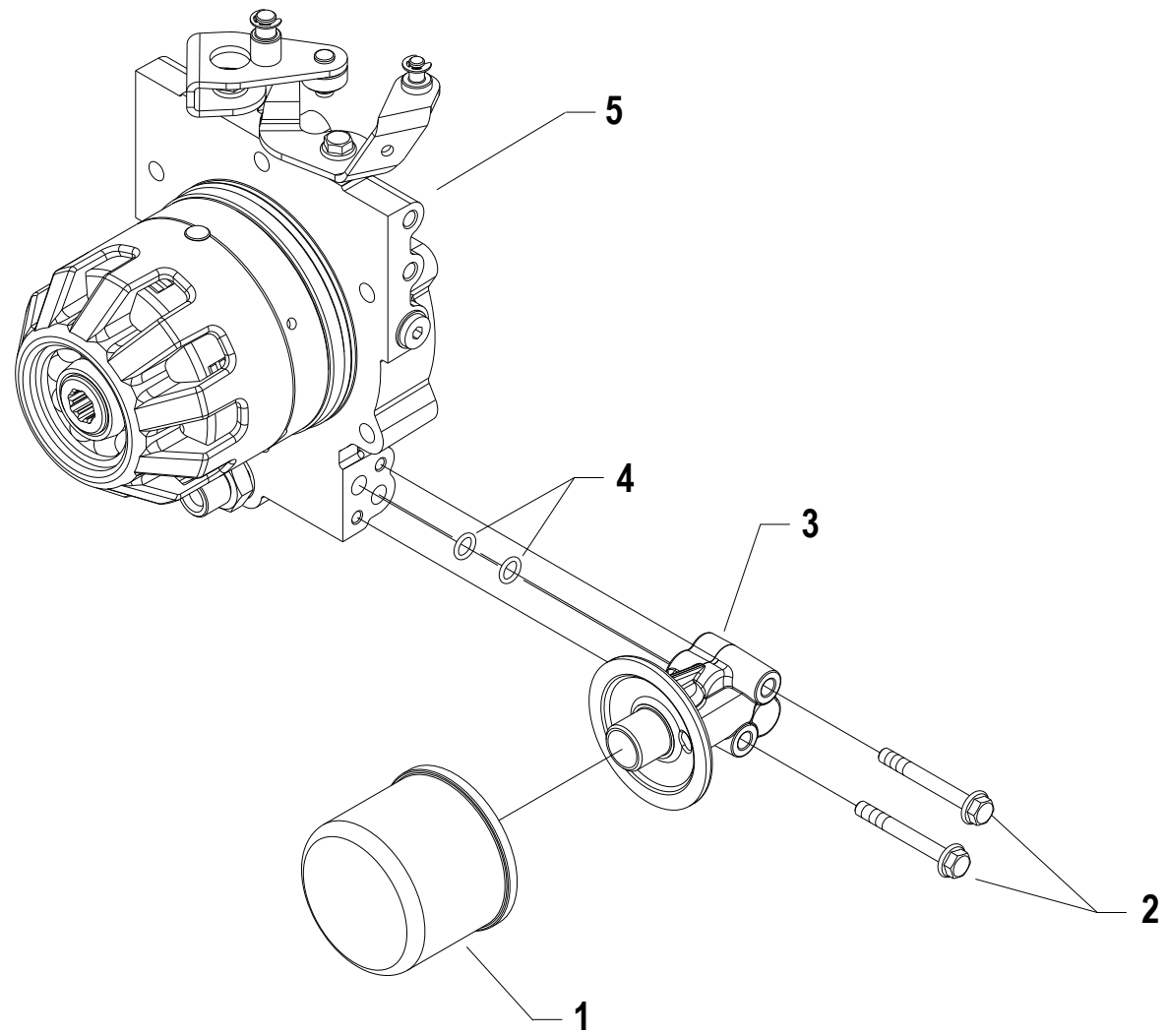
11/2010

Rev.

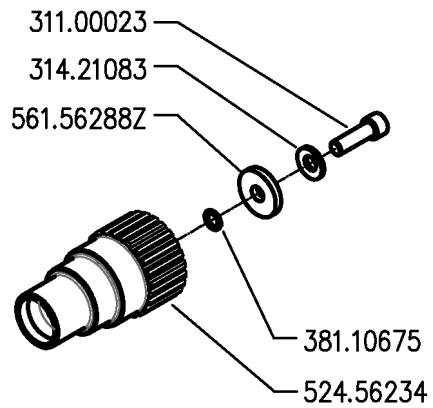
1

Pos.	Code	Q.ty	Description	Notes
31112099	31112099	1	SCREW TE C/F M6X50 DIN 6921 8G	
38110873	38110873	1	O-RING	
53156209	53156209	1	CONNECTION	
58056208	58056208	1	FILTER	
59256035	59256035	1	POWERSAFE CLUTCH ASSY Q19	
59256036	59256036	1	POWERSAFE CLUTCH	
59256037	59256037	1	CLUTCH FOR POWERSAFE Q25.4 (3/8)	
59256038	59256038	1	POWERSAFE CLUTCH	
59256039	59256039	1	POWERSAFE CLUTCH ASSY	

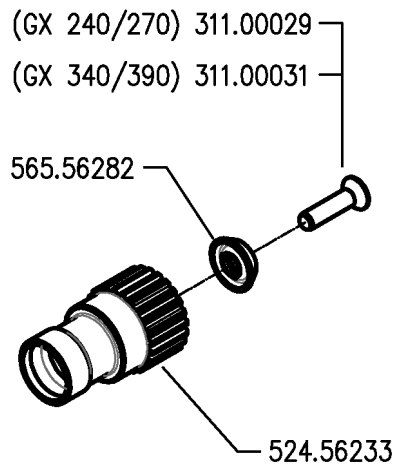
POWERSAFE FILTER UNIT



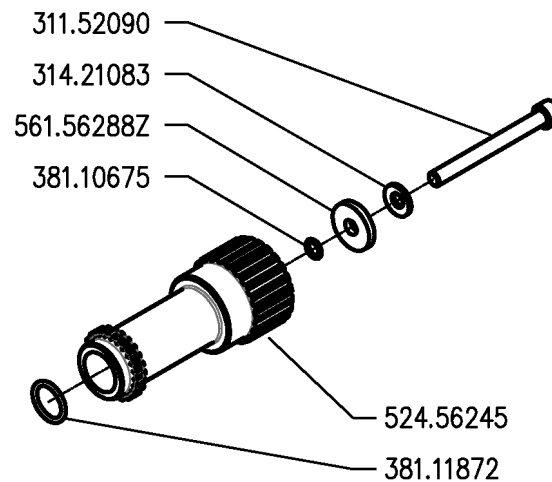
Pos.	Code	Q.ty	Description	Notes
1	58056208	1	FILTER	
2	31112099	1	SCREW TE C/F M6X50 DIN 6921 8G	
3	53156209	1	CONNECTION	
3	53156659	1	CONNECTION	Powersafe EasyDrive
4	38110873	1	O-RING	
5	59256035	1	POWERSAFE CLUTCH ASSY Q19	For motors GX160/200 - EX21
5	59256036	1	POWERSAFE CLUTCH	For motors GX240/270
5	59256037	1	CLUTCH FOR POWERSAFE Q25.4 (3/8)	For motors GX340/390 - EX35
5	59256038	1	POWERSAFE CLUTCH	For motors 15LD350/440-L70/100
5	59256039	1	POWERSAFE CLUTCH ASSY	For motors 15LD500/3LD510



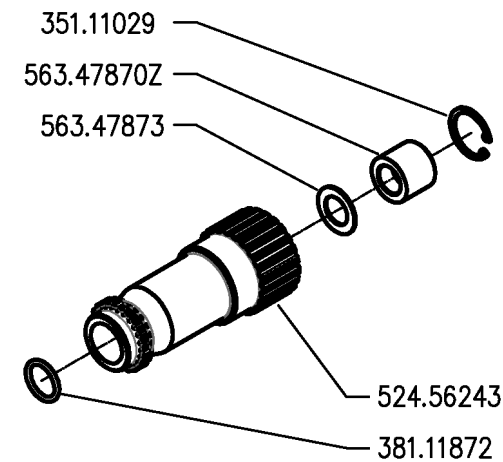
GX 160-200



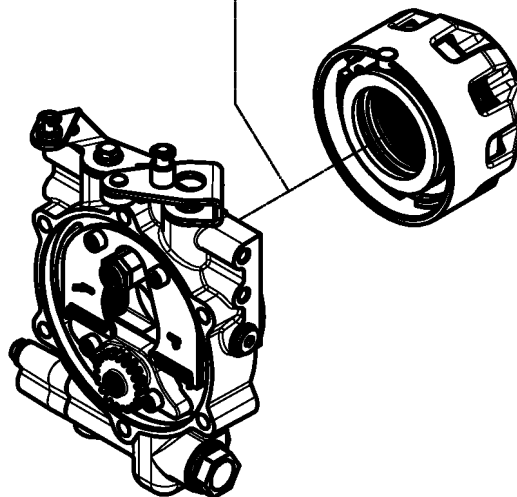
GX 240-270-340-390



15LD350-440 - L70-100



15LD500



300 serie PS
PowerSafe®

MOZZI FRIZIONE POWERSAFE

POWERSAFE CLUTCH HUBS

CUBOS EMBRAGUE POWERSAFE

MOYEURS EMBRAYAGE POWERSAFE

NABEN POWERSAFE KUPPLUNG

DALLA MACCHINA
DE LA MAQUINA
DE LA MACHINA
FROM THE MACHINE
AB DER MASCHINE

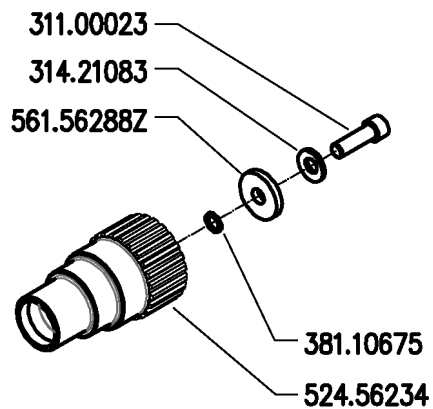
N.

E01

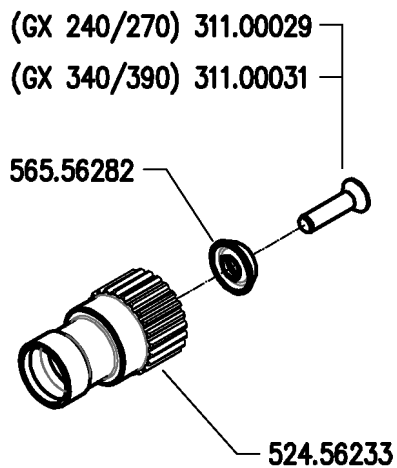
05/2009

Rev. 0

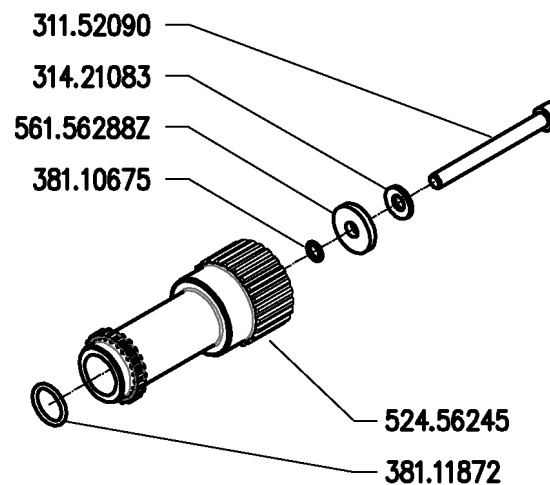
Pos.	Code	Q.ty	Description	Notes
31100023	31100023	1	SCREW 5/16-24	
31100029	31100029	1	SCREW TSVEI 7/16-20X1 1/2 UNF8G	
31100031	31100031	1	SCREW TSVEI 3/8-24X1 1/2 UNF 8G	
31152090	31152090	1	SCREW TCEI M8x80 UNI5931	
31421083	31421083	1	WASHER	
35111029	35111029	1	SEEGER RING	
38110675	38110675	1	O-RING	
38111872	38111872	1	O-RING	
52456233	52456233	1	HUB	
52456234	52456234	1	HUB	
52456243	52456243	1	HUB	
52456245	52456245	1	HUB	
56347873	56347873	1	WASHER	
56556282	56556282	1	WASHER D.25,4	
56156288	56156288Z	1	SPECIAL WASHER SP.4	
56347870	56347870Z	1	SPECIAL NUT	



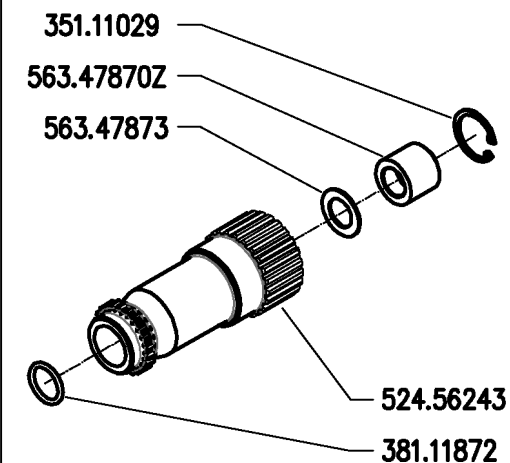
GX 160-200



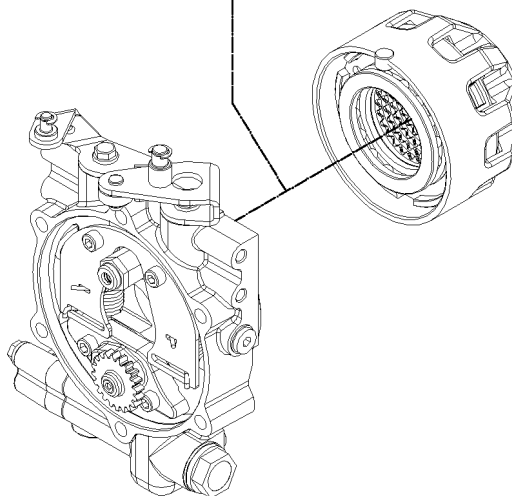
GX 240-270-340-390



15LD350-440 - L70-100



15LD500-3LD510 ★



300 serie PS
PowerSafe®

MOZZI FRIZIONE POWERSAFE

POWERSAFE CLUTCH HUBS
CUBOS EMBRAGUE POWERSAFE

MOYEURS EMBRAYAGE POWERSAFE
NABEN POWERSAFE KUPPLUNG

DALLA MACCHINA
DE LA MAQUINA
DE LA MACHINA
FROM THE MACHINE
AB DER MASCHINE



AGGIORNAMENTO
APLAZAMIENTO
MISE A JOUR
REVISION
ANPASSUNG

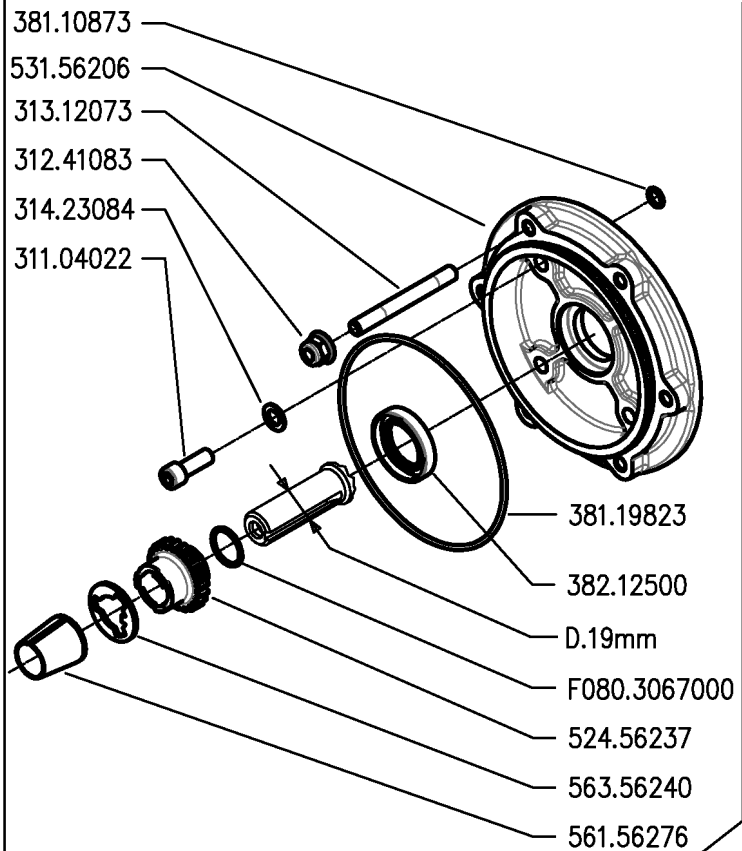
E01

11/2010

Rev.

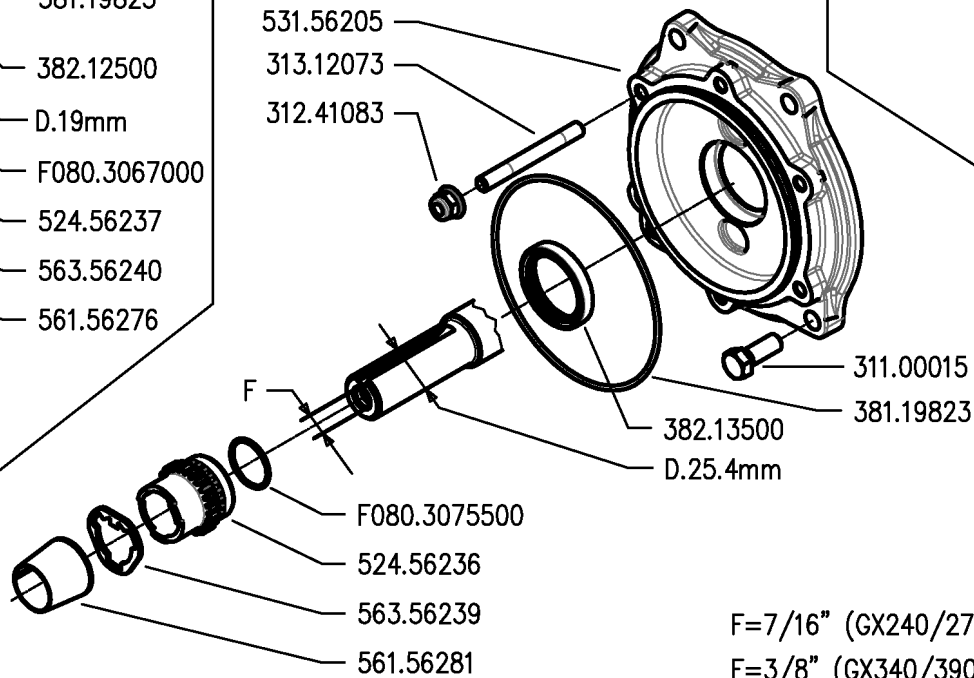
1

Pos.	Code	Q.ty	Description	Notes
31100023	31100023	1	SCREW 5/16-24	
31100029	31100029	1	SCREW TSVEI 7/16-20X1 1/2 UNF8G	
31100031	31100031	1	SCREW TSVEI 3/8-24X1 1/2 UNF 8G	
31152090	31152090	1	SCREW TCEI M8x80 UNI5931	
31421083	31421083	1	WASHER	
35111029	35111029	1	SEEGER RING	
38110675	38110675	1	O-RING	
38111872	38111872	1	O-RING	
52456233	52456233	1	HUB	
52456234	52456234	1	HUB	
52456243	52456243	1	HUB	
52456245	52456245	1	HUB	
56347873	56347873	1	WASHER	
56556282	56556282	1	WASHER D.25,4	
56156288	56156288Z	1	SPECIAL WASHER SP.4	
56347870	56347870Z	1	SPECIAL NUT	



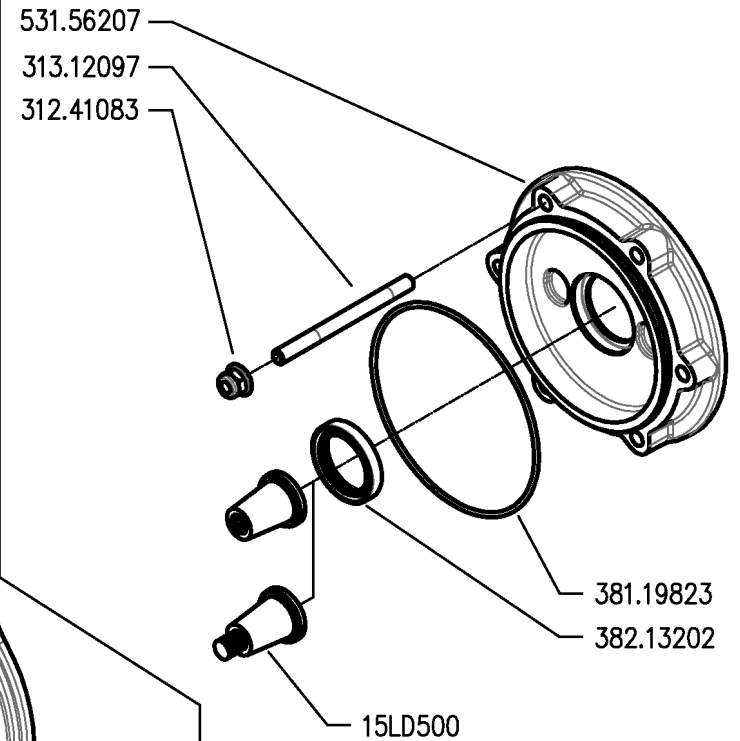
GX 160-200

GX 240-270-340-390



F=7/16" (GX240/270)

F=3/8" (GX340/390)



15LD350-440-500
L70-100



300 serie PS
PowerSafe®

ENGINE FLANGES

BRIDAS MOTOR

FLANGIE MOTORE

BRIDES MOTEUR

MOTOR FLANSCH

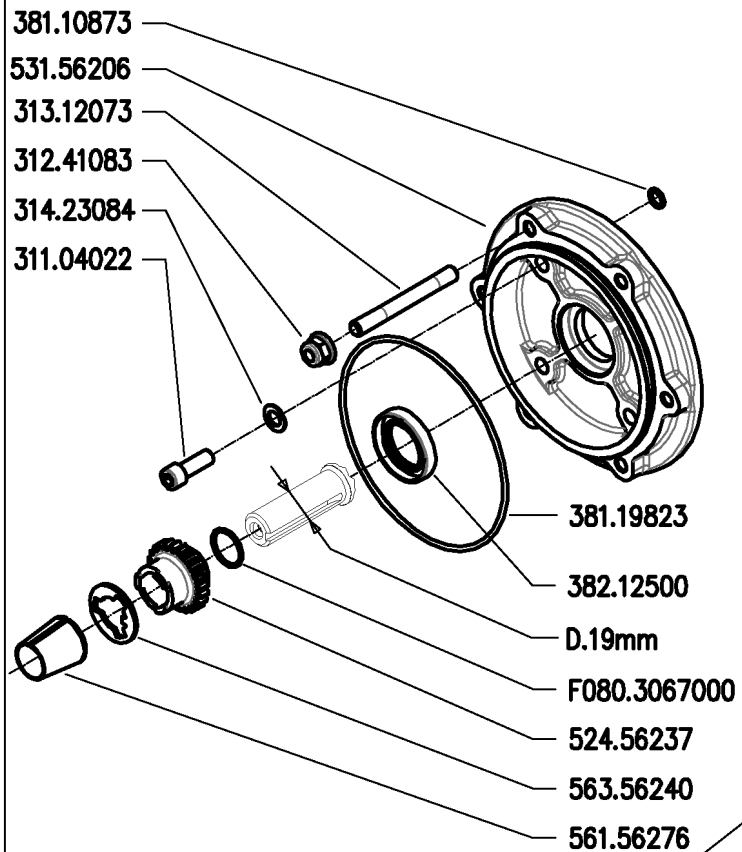
DALLA MACCHINA
DE LA MAQUINA
DE LA MACHINA
FROM THE MACHINE
AB DER MASCHINE

N.

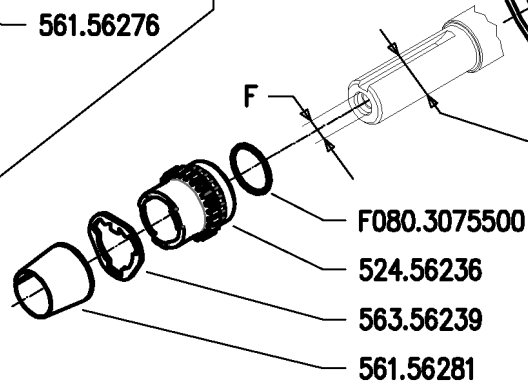
F01 0

05/2009

Pos.	Code	Q.ty	Description	Notes
31100015	31100015	1	SCREW TE 3/8X1	
31104022	31104022	1	SCREW TCEI 5/16X7/8 UNF 12K	
31241083	31241083	1	SELFLOCK NUT M8	
31312073	31312073	1	STUD BOLT	
31312097	31312097	1	STUD BOLT	
31423084	31423084	1	SPRING WASHER 8,4	
38110873	38110873	1	O-RING	
38119823	38119823	1	O-RING	
38212500	38212500	1	OIL SEAL 25X40X7	
38213202	38213202	1	OIL SEAL 32X45X7	
38213500	38213500	1	OIL SEAL 35X47X7	
52456236	52456236	1	PUMP GEAR	
52456237	52456237	1	PUMP GEAR	
53156205	53156205	1	ENGINE FLANGE	
53156206	53156206	1	ENGINE FLANGE	
53156207	53156207	1	ENGINE FLANGE	
56156276	56156276	1	SLEEVE	
56156281	56156281	1	CENTRING BUSH	
56356239	56356239	1	FEEDER Q25	
56356240	56356240	1	TRANSMISSION	
F0803067	F0803067000	1	O-RING	
F0803075	F0803075500	1	O-RING	



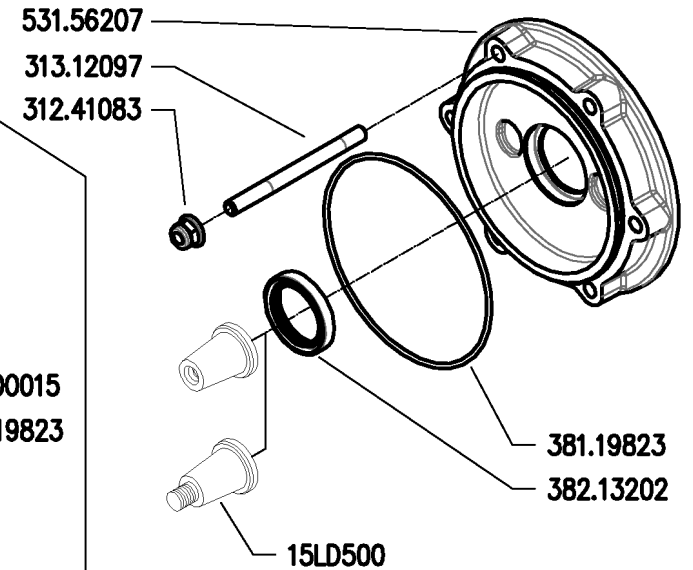
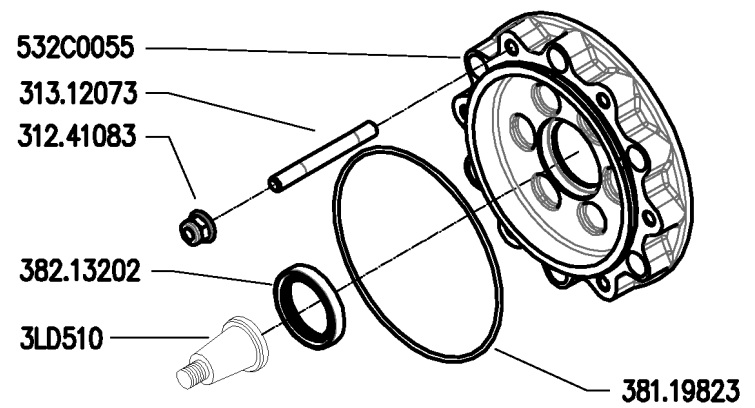
GX 160-200



GX 240-270-340-390

F=7/16" (GX240/270)
F=3/8" (GX340/390)

★ 3LD510



15LD350-440-500
L70-100



300 serie PS
PowerSafe®

ENGINE FLANGES
BRIDAS MOTOR

FLANGIE MOTORE

BRIDES MOTEUR
MOTOR FLANSCH

DALLA MACCHINA
DE LA MAQUINA
DE LA MACHINA
FROM THE MACHINE
AB DER MASCHINE

★ N.

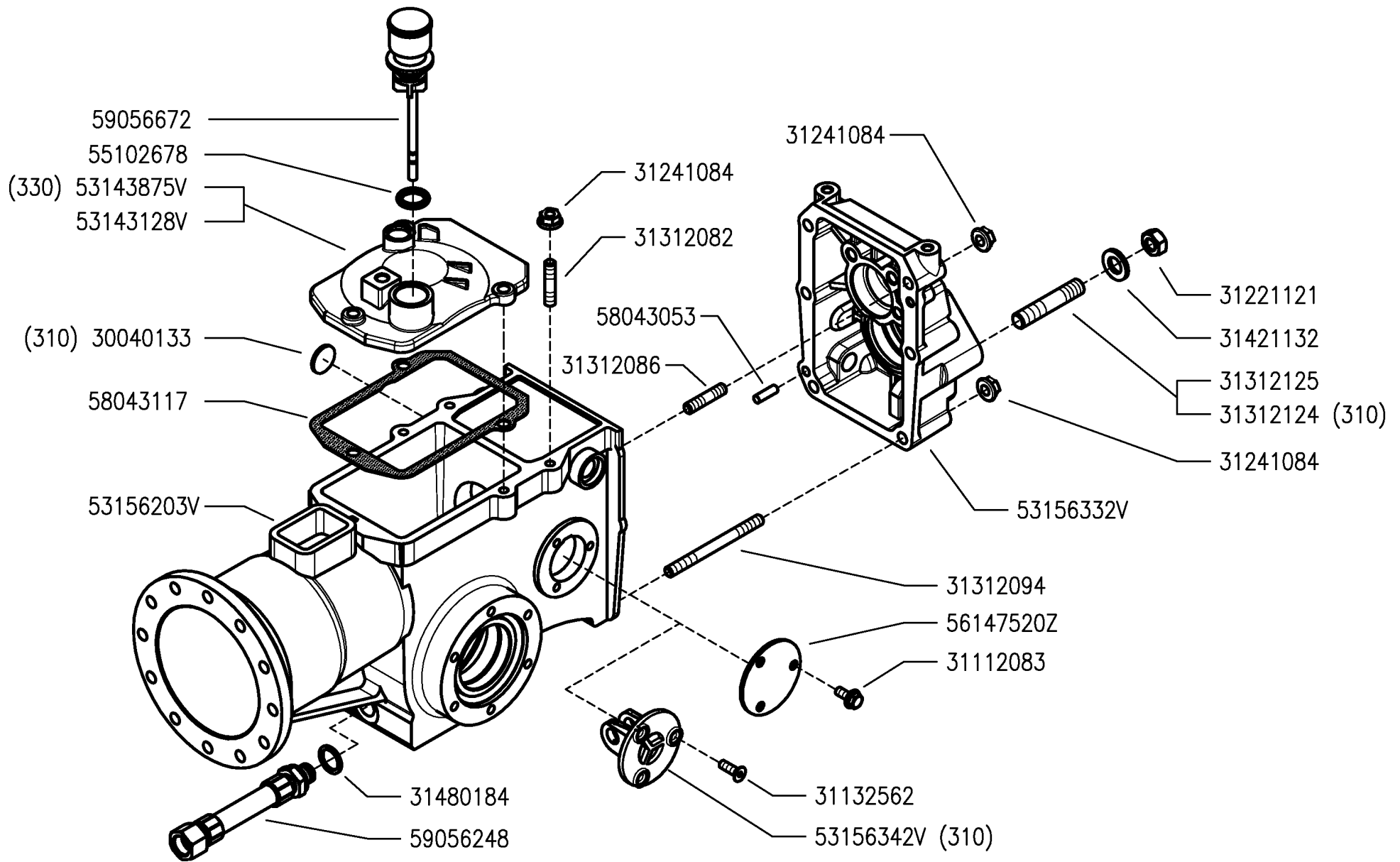
AGGIORNAMENTO
APLAZAMIENTO
MISE A JOUR
REVISION
ANPASSUNG

F01
11/2010

Rev.

1

Pos.	Code	Q.ty	Description	Notes
31100015	31100015	1	SCREW TE 3/8X1	
31104022	31104022	1	SCREW TCEI 5/16X7/8 UNF 12K	
31241083	31241083	1	SELFLOCK NUT M8	
31312073	31312073	1	STUD BOLT	
31312097	31312097	1	STUD BOLT	
31423084	31423084	1	SPRING WASHER 8,4	
38110873	38110873	1	O-RING	
38119823	38119823	1	O-RING	
38212500	38212500	1	OIL SEAL 25X40X7	
38213202	38213202	1	OIL SEAL 32X45X7	
38213500	38213500	1	OIL SEAL 35X47X7	
52456236	52456236	1	PUMP GEAR	
52456237	52456237	1	PUMP GEAR	
53156205	53156205	1	ENGINE FLANGE	
53156206	53156206	1	ENGINE FLANGE	
53156207	53156207	1	ENGINE FLANGE	
532C0055	532C0055	1	ACT ENGINE FLANGE	
56156276	56156276	1	SLEEVE	
56156281	56156281	1	CENTRING BUSH	
56356239	56356239	1	FEEDER Q25	
56356240	56356240	1	TRANSMISSION	
F0803067	F0803067000	1	O-RING	
F0803075	F0803075500	1	O-RING	



300 serie PS
PowerSafe®

GEARBOX
CAJA DE CAMBIO

SCATOLA CAMBIO
(310-320-330)

BOITE DE VITESSES
WECHSELGETRIEBE

DALLA MACCHINA
DE LA MAQUINA
DE LA MAQUINA
FROM THE MACHINE
AB DER MASCHINE

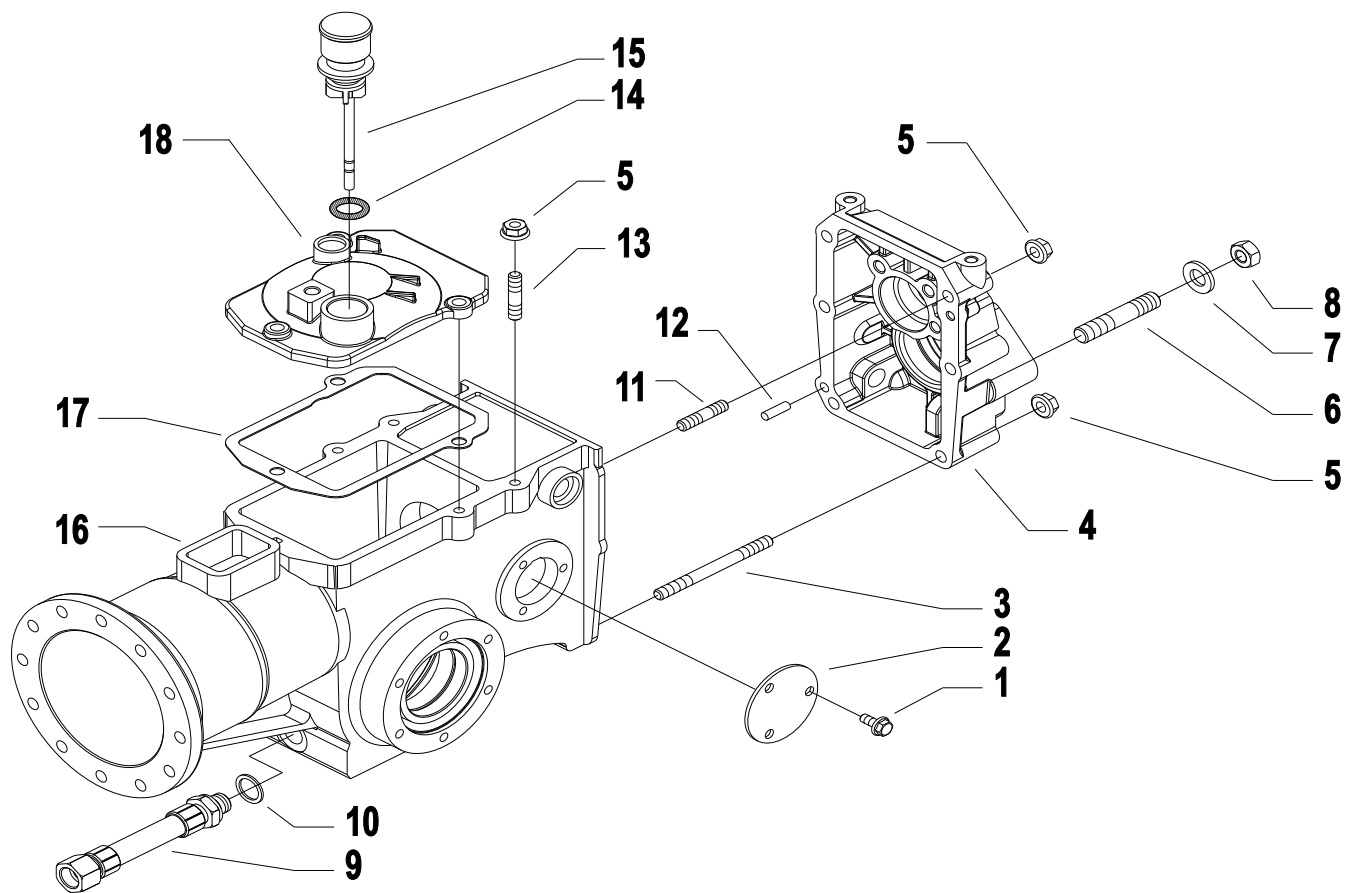
N.

G01 0

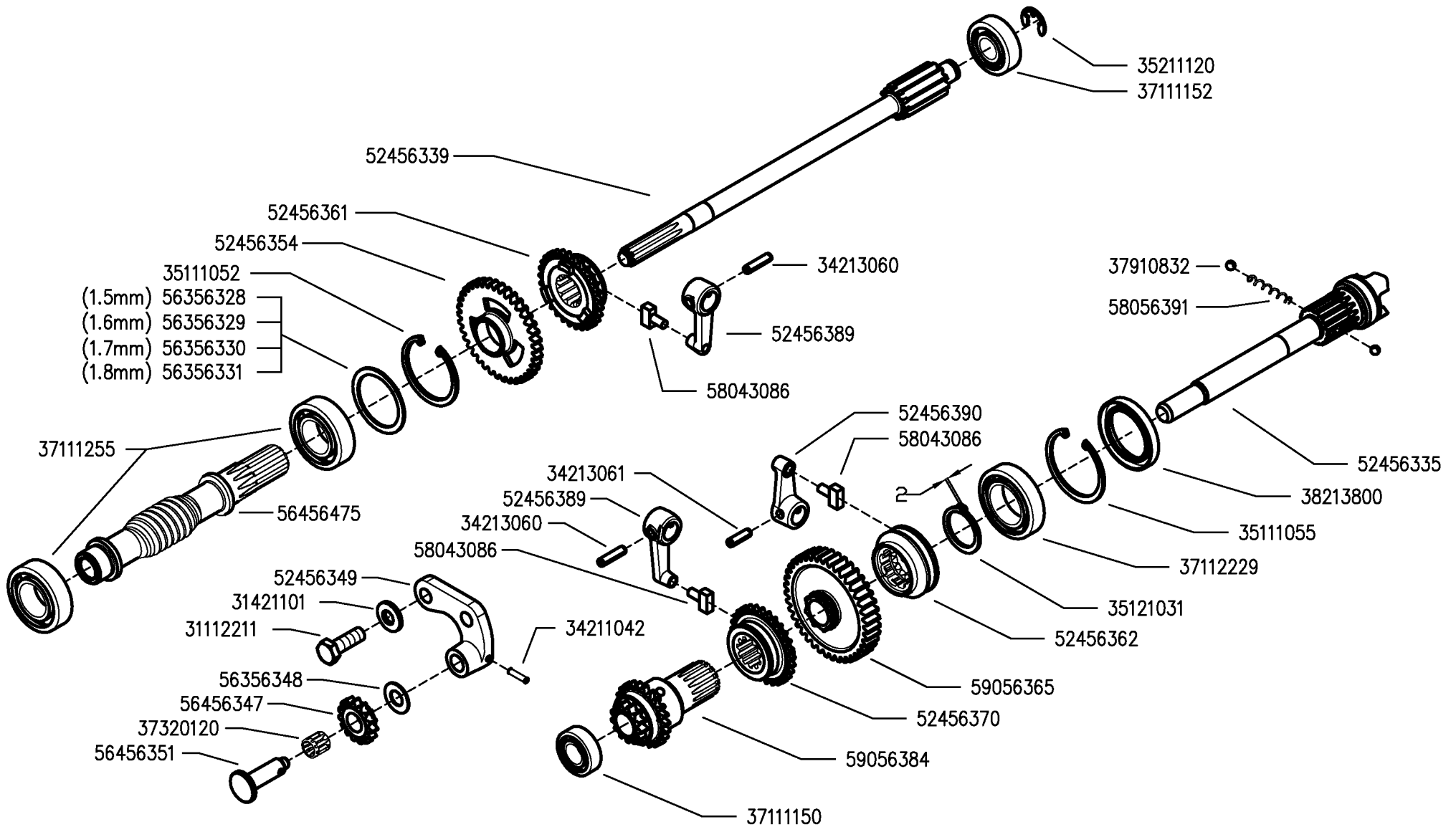
Rev.

05/2009

Pos.	Code	Q.ty	Description	Notes
30040133	30040133	1	PLUG 22 DIN 470	
31112083	31112083	1	SCREW M6X12	
31132562	31132562	1	SCREW TSVEI M6X16 UNI 5933	
31221121	31221121	1	NUT M12X1,25	
31241084	31241084	1	SELFLOCK NUT M8 6S	
31312082	31312082	1	STUD BOLT M8X38X14X20	
31312086	31312086	1	STUD BOLT M8X56X20X14	
31312094	31312094	1	STUD BOLT M8X68X14X36	
31312124	31312124	1	STUD BOLT	
31312125	31312125	1	STUD BOLT	
31421132	31421132	1	WASHER 13X24X2,8	
31480184	31480184	1	COPPER WASHER 16,7x22/1,5	
55102678	55102678	1	RUBBER RING	
58043053	58043053	1	CYLINDRICAL PLUG	
58043117	58043117	1	COVER GASKET	
59056248	59056248	1	SUCTION SHORT HOSE	
59056672	59056672	1	OIL LEVEL CAP W/SHAFT	
53143128	53143128V	1	COVER	
53143875	53143875V	1	GEARBOX HOUSING COVER	
53156203	53156203V	1	BOX CASING	
53156332	53156332V	1	REAR COVER	
53156342	53156342V	1	GEAR SUPPORT	
56147520	56147520Z	1	COVER	



Pos.	Code	Q.ty	Description	Notes
1	31112083	1	SCREW M6X12	
2	56147520Z	1	COVER	
3	31312094	1	STUD BOLT M8X68X14X36	
4	53156332V	1	REAR COVER	
5	31241084	1	SELFLOCK NUT M8 6S	
6	31312125	1	STUD BOLT	
7	31421132	1	WASHER 13X24X2,8	
8	31221121	1	NUT M12X1,25	
9	59056248	1	SUCTION SHORT HOSE	
10	31480184	1	COPPER WASHER 16,7x22/1,5	
11	31312086	1	STUD BOLT M8X56X20X14	
12	58043053	1	CYLINDRICAL PLUG	
13	31312082	1	STUD BOLT M8X38X14X20	
14	55102678	1	RUBBER RING	
15	59056672	1	OIL LEVEL CAP W/SHAFT	
16	53156203V	1	BOX CASING	
17	58043117	1	COVER GASKET	
18	53143128V	1	COVER	Pour les modèles Série 310/320/328 PS
18	53143875V	1	GEARBOX HOUSING COVER	Pour les modèles 330/338 de la série PS



FERRARI

300 serie PS
PowerSafe®

GEARS
ENGRANAJES

INGRANAGGI CAMBIO
(320-330)

ENGRANAGES
ZÄHNRÄDER

DALLA MACCHINA
DE LA MAQUINA
DE LA MACHINA
FROM THE MACHINE
AB DER MASCHINE

N.

H02 0

05/2009

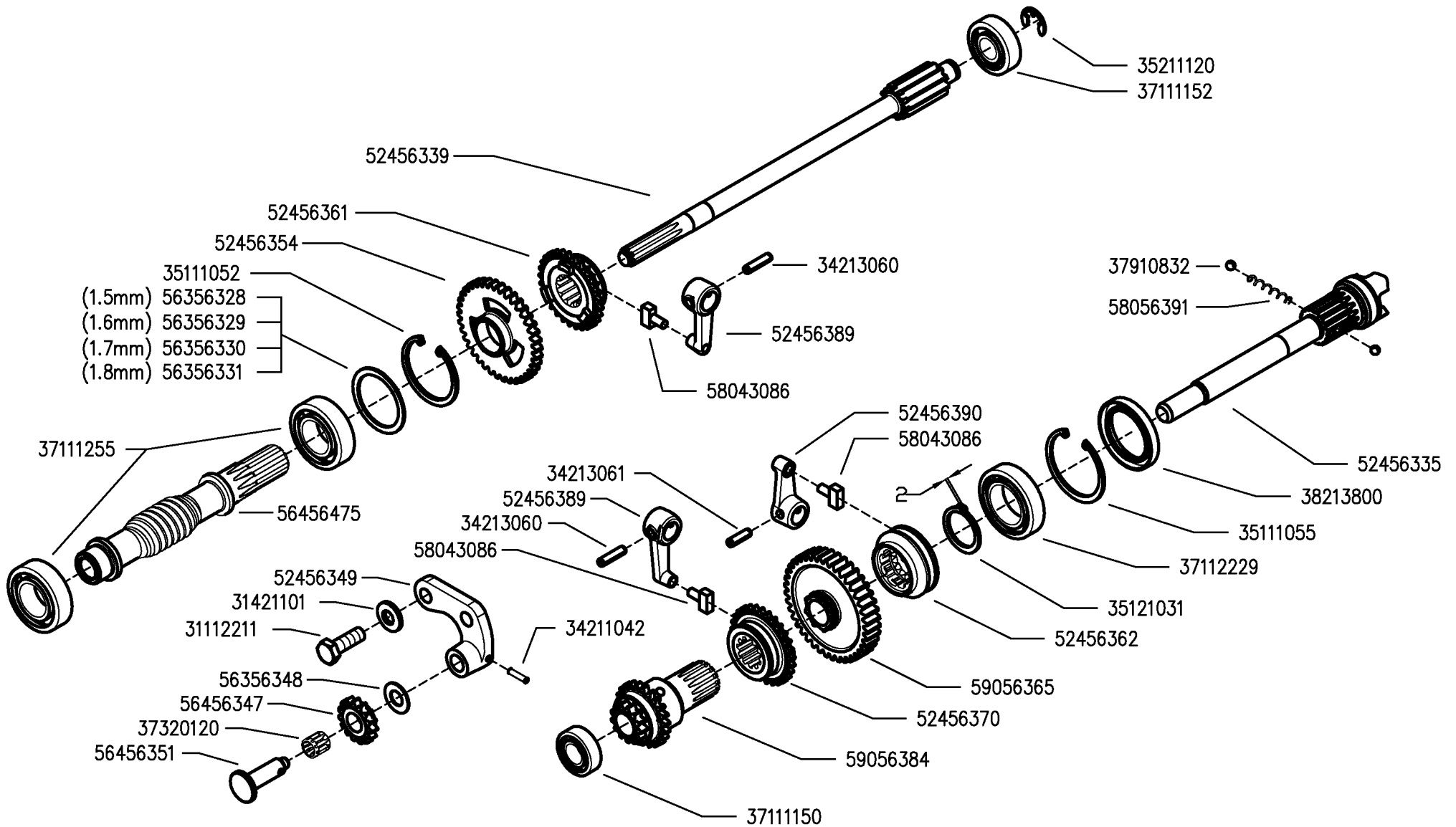
Pos.	Code	Q.ty	Description	Notes
31112211	31112211	1	SCREW TE M10X30 UNI 5739	
31421101	31421101	1	WASHER	
34211042	34211042	1	ROLL PIN	
34213060	34213060	1	ROLL PIN	
34213061	34213061	1	ROLL PIN	
35111052	35111052	1	SEEGER RING	
35111055	35111055	1	SEEGER RING	
35121031	35121031	1	SEEGER RING	
35211120	35211120	1	SEEGER RING	
37111150	37111150	1	BEARING	
37111152	37111152	1	BEARING	
37111255	37111255	1	BEARING	
37112229	37112229	1	BEARING	
37320120	37320120	1	ROLLER CAGE 12X15/10	
37910832	37910832	1	BALL 1/4	
38213800	38213800	1	OIL SEAL 38X55X7	
52456335	52456335	1	PTO SHAFT	
52456339	52456339	1	SHAFT	
52456349	52456349	1	GEAR SUPPORT	
52456354	52456354	1	GEAR	
52456361	52456361	1	SLIDER	
52456362	52456362	1	COUPLING	
52456370	52456370	1	SLIDER	
52456389	52456389	1	LEVER	
52456390	52456390	1	LEVER	
56356328	56356328	1	ADJUSTING RING SP=1,5	
56356329	56356329	1	ADJUSTING RING SP=1,6	
56356330	56356330	1	ADJUSTING RING SP=1,7	
56356331	56356331	1	ADJUSTING RING SP=1,8	
56356348	56356348	1	ADJUSTING RING	
56456347	56456347	1	GEAR	
56456351	56456351	1	GEAR PIN	
56456475	56456475	1	SCREW	
58043086	58043086	1	SHOE	

SERIAL

GEARS

CODE REV

H02_0_66927



FERRARI

300 serie PS
PowerSafe®

GEARS
ENGRANAJES

INGRANAGGI CAMBIO
(320-330)

ENGRANAGES
ZÄHNRÄDER

DALLA MACCHINA
DE LA MAQUINA
DE LA MACHINA
FROM THE MACHINE
AB DER MASCHINE

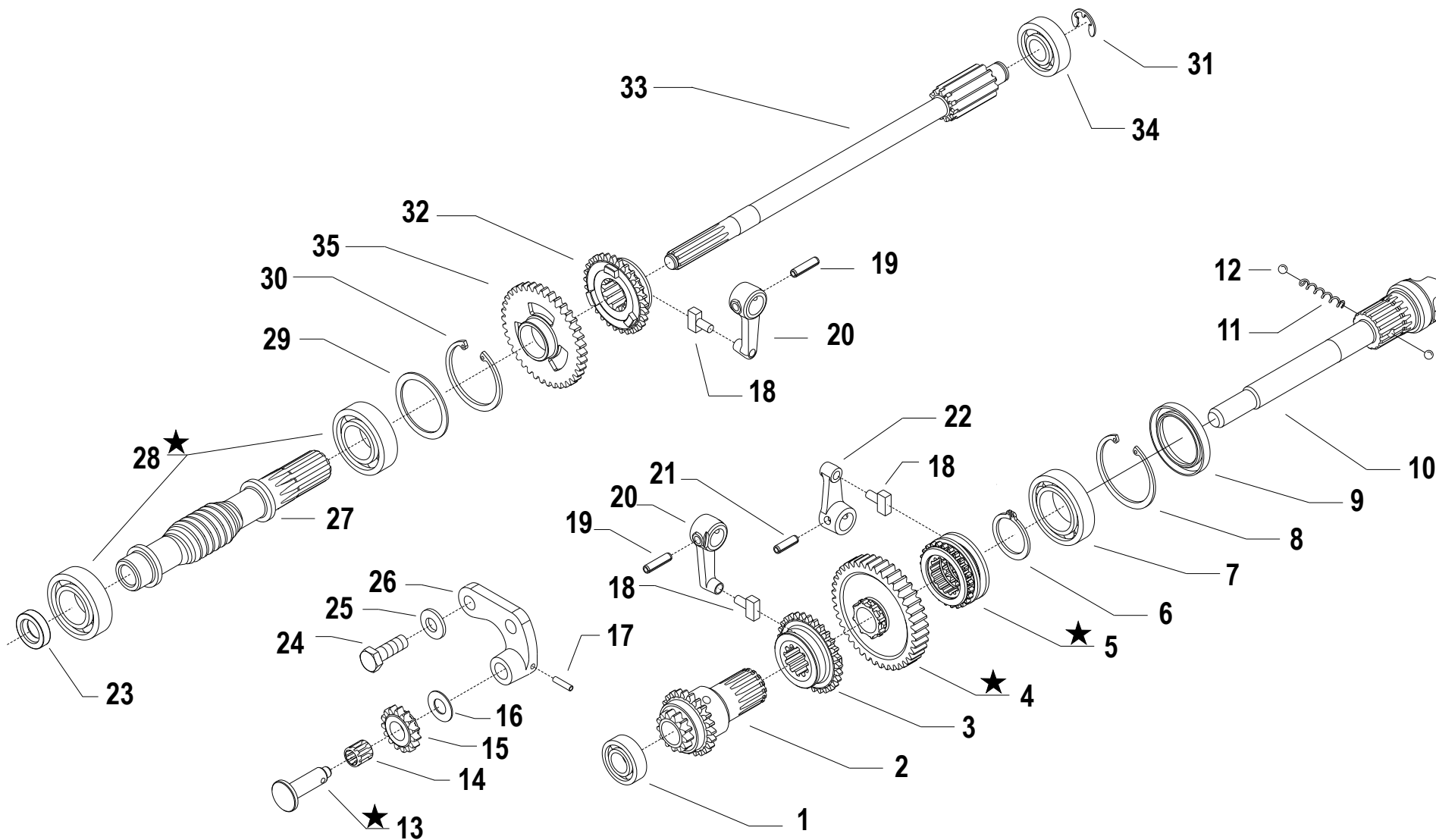
N.

H02 0

05/2009

DITEBCS - Scala 1:4

Pos.	Code	Q.ty	Description	Notes
58056391	58056391	1	SPRING	
59056365	59056365	1	PTO GEAR	
59056384	59056384	1	DOUBLE GEAR	



i = info - stop 2 sec. ★ = new part

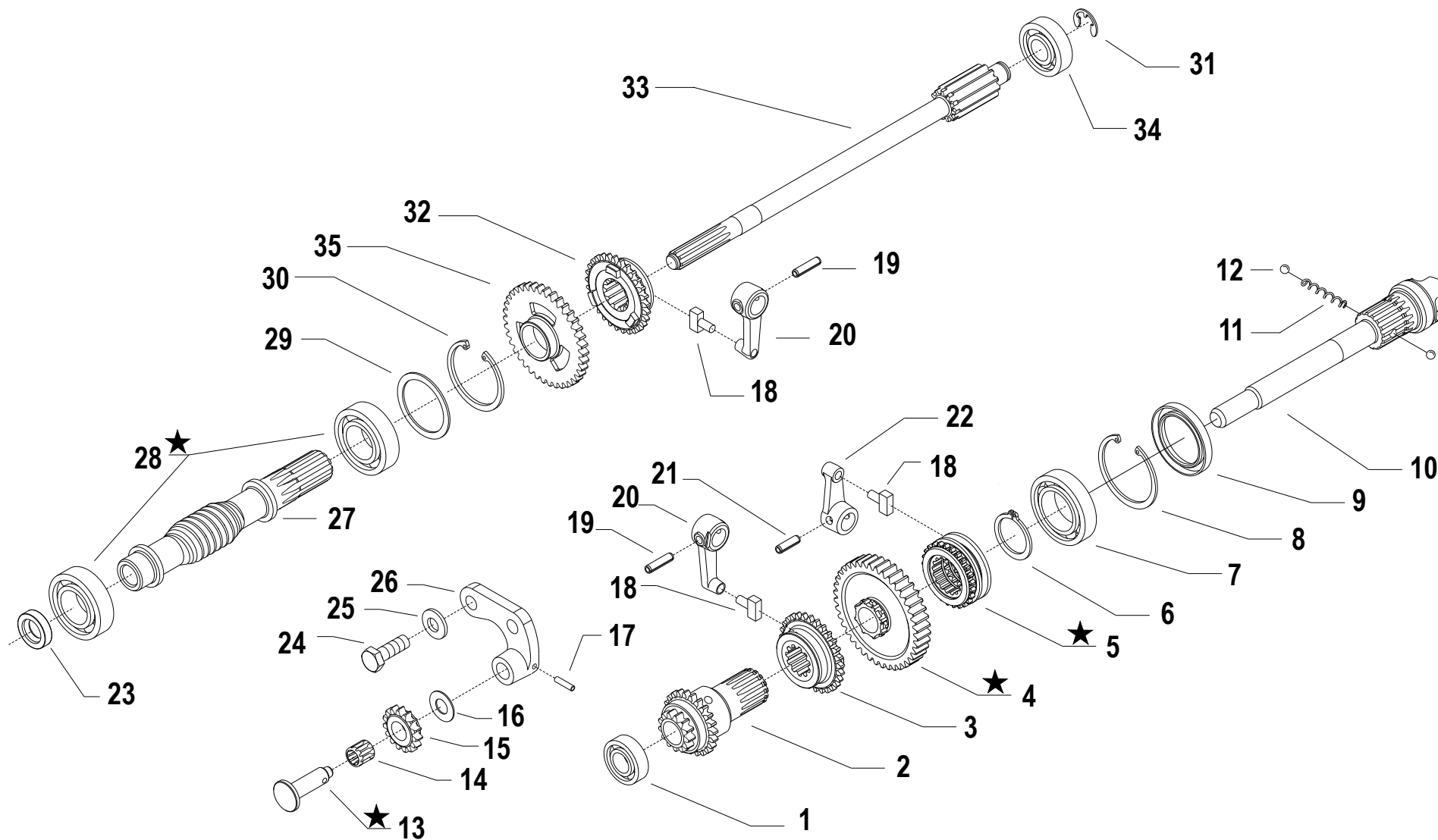
Pos.	Code	Q.ty	Description	Notes
1	37111150		BEARING	
2	59056384		DOUBLE GEAR	
3	52456370		SLIDER	
4	59056707		PTO GEAR	Replaces 59056365 + 52456362
5	52456706		PTO COUPLING	Replaces 59056365 + 52456362
6	35121031		SEEGER RING	
7	37112229		BEARING	
8	35111055		SEEGER RING	
9	38213800		OIL SEAL 38X55X7	
10	52456335		PTO SHAFT	
11	58056391		SPRING	
12	37910832		BALL 1/4	
13	56456736		GEAR PIN	Replaces 56456351
14	37320120		ROLLER CAGE 12X15/10	
15	56456347		GEAR	
16	56356348		ADJUSTING RING	
17	34211042		ROLL PIN	
18	58043086		SHOE	
19	34213060		ROLL PIN	
20	52456389		LEVER	
21	34213061		ROLL PIN	
22	52456390		LEVER	
23	38211500		OIL SEAL 15X28X7	
24	31112211		SCREW TE M10X30 UNI 5739	
25	31421101		WASHER	
26	52456349		GEAR SUPPORT	
27	56456475		SCREW	
28	37111255		BEARING	
29	56356328		ADJUSTING RING SP=1,5	
29	56356329		ADJUSTING RING SP=1,6	
29	56356330		ADJUSTING RING SP=1,7	
29	56356331		ADJUSTING RING SP=1,8	
30	35111052		SEEGER RING	
31	35211120		SEEGER RING	

SERIAL
START
937702

INGRANAGGI CAMBIO (320-330)

CODE REV

H.02.02.A0003_01



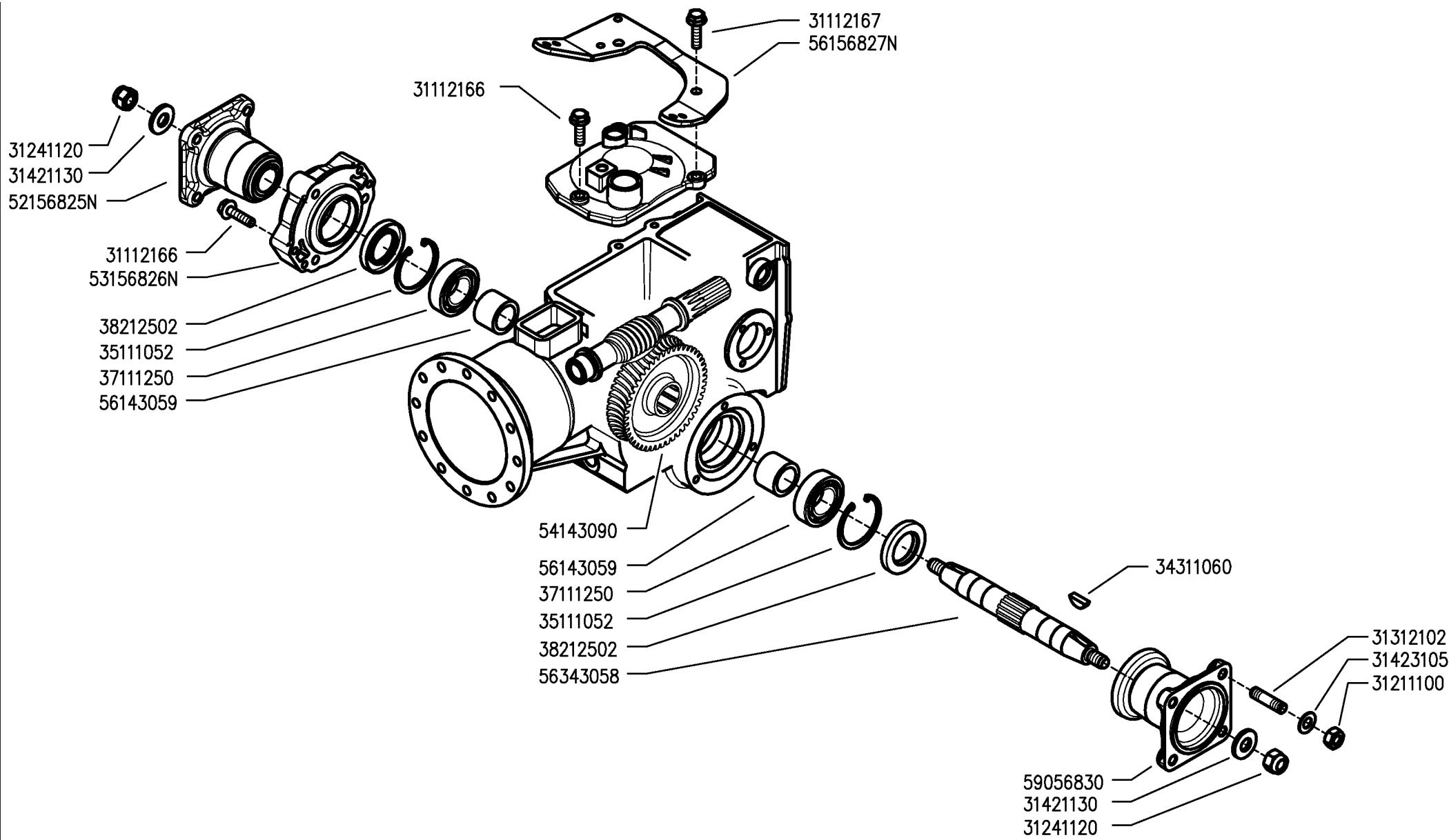
i = info - stop 2 sec. ★ = new part

Pos.	Code	Q.ty	Description	Notes
32	52456361		SLIDER	
33	52456339		SHAFT	
34	37111152		BEARING	
35	52456354		GEAR	

SERIAL
START
937702

INGRANAGGI CAMBIO (320-330)

CODE REV
H.02.02.A0003_01



300 serie PS
PowerSafe®

WHEELS AXLE
EJE RUEDAS

ASSE RUOTE
(310-320)

ESSIEUS ROUES
RÄDACHSE

DALLA MACCHINA
DE LA MAQUINA
DE LA MACHINA
FROM THE MACHINE
AB DER MASCHINE

N.

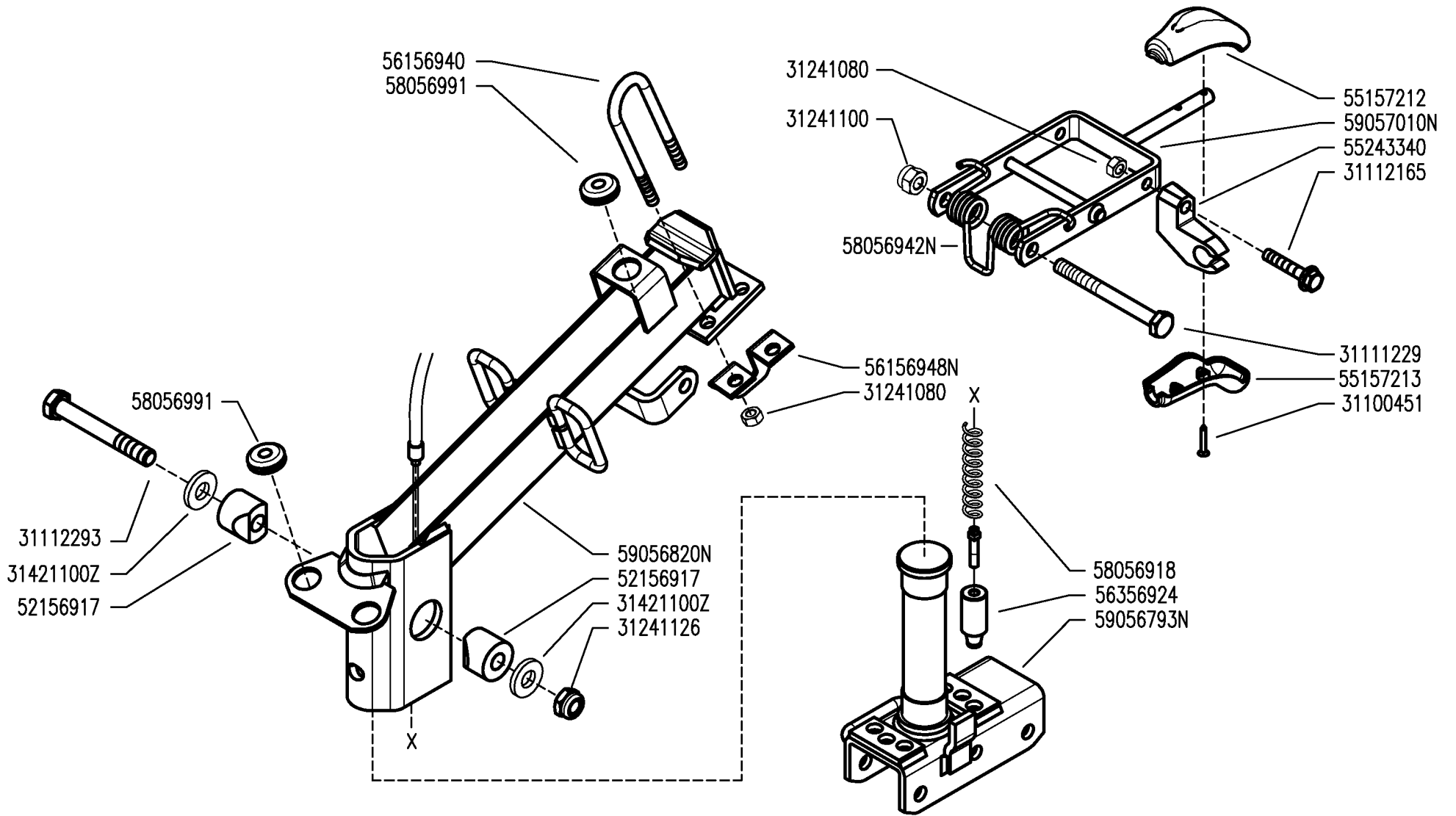
101

05/2009

Rev.

0

Pos.	Code	Q.ty	Description	Notes
31112166	31112166	1	SCREW TE C/F M8X25 DIN 6921 8G	
31112167	31112167	1	SCREW TE C/F M8X30 DIN 6921 8G	
31211100	31211100	1	NUT M10	
31241120	31241120	1	SELFLOCK NUT M12	
31312102	31312102	1	STUD BOLT M10X40X24X12	
31421130	31421130	1	WASHER	
31423105	31423105	1	SPRING WASHER 10,5	
34311060	34311060	1	KEY 6X10 UNI 6606	
35111052	35111052	1	SEEGER RING	
37111250	37111250	1	BEARING	
38212502	38212502	1	OIL SEAL 25X52X7	
54143090	54143090	1	CROWN WHEEL	
56143059	56143059	1	SPACER	
56343058	56343058	1	AXLE SHAFT	
59056830	59056830	1	WHEEL HUB	
52156825	52156825N	1	WHEEL HUB	
53156826	53156826N	1	FLANGE	
56156827	56156827N	1	STOP	



300 serie PS
PowerSafe®

STEERING COLUMN
COLUMNA

PIANTONE
(320-330)

PLANTON
LENKSÄULE

DALLA MACCHINA
DE LA MAQUINA
DE LA MACHINA
FROM THE MACHINE
AB DER MASCHINE

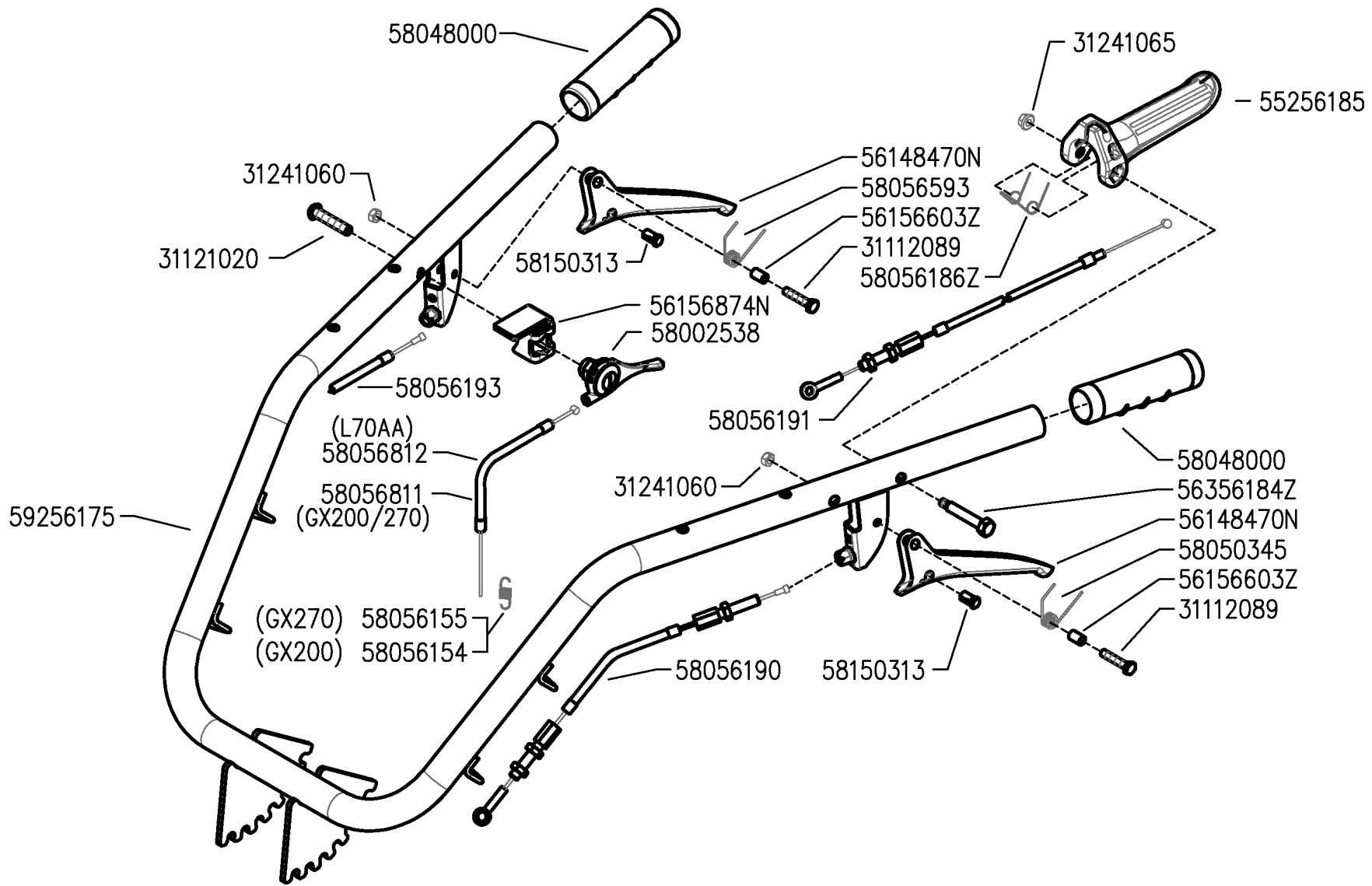
N.

J02 0

05/2009

Rev.

Pos.	Code	Q.ty	Description	Notes
31100451	31100451	1	SCREW 3,5X25	
31111229	31111229	1	SCREW TE M10X110 UNI 5737 8G	
31112165	31112165	1	SCREW TE C/F M8X35 DIN 6921 8G	
31112293	31112293	1	SCREW TE M12X80 UNI 5737	
31241080	31241080	1	HEXAGON SELFLOCK NUT M8	
31241100	31241100	1	SELFLOCK HEXAGON NUT M10	
31241126	31241126	1	SELFLOCK NUT M12	
52156917	52156917	1	WEDGE	
55157212	55157212	1	GRIP	
55157213	55157213	1	GRIP	
55243340	55243340	1	SUPPORT	
56156940	56156940	1	U BOLT	
56356924	56356924	1	FERRULE	
58056918	58056918	1	SPRING	
58056991	58056991	1	CABLE GLAND	
31421100	31421100Z	1	CUP SPRING	
56156948	56156948N	1	STOP	
58056942	58056942N	1	SPRING	
59056793	59056793N	1	SUPPORT	
59056820	59056820N	1	COLUMN	
59057010	59057010N	1	LEVER	



300 serie PS
PowerSafe®

HANDLEBAR

MANILLAR

MANUBRIO
(320-330)

MANCHERON

LINCHER

DALLA MACCHINA
DE LA MAQUINA
DE LA MACHINA
FROM THE MACHINE
AB DER MASCHINE

N.

K02

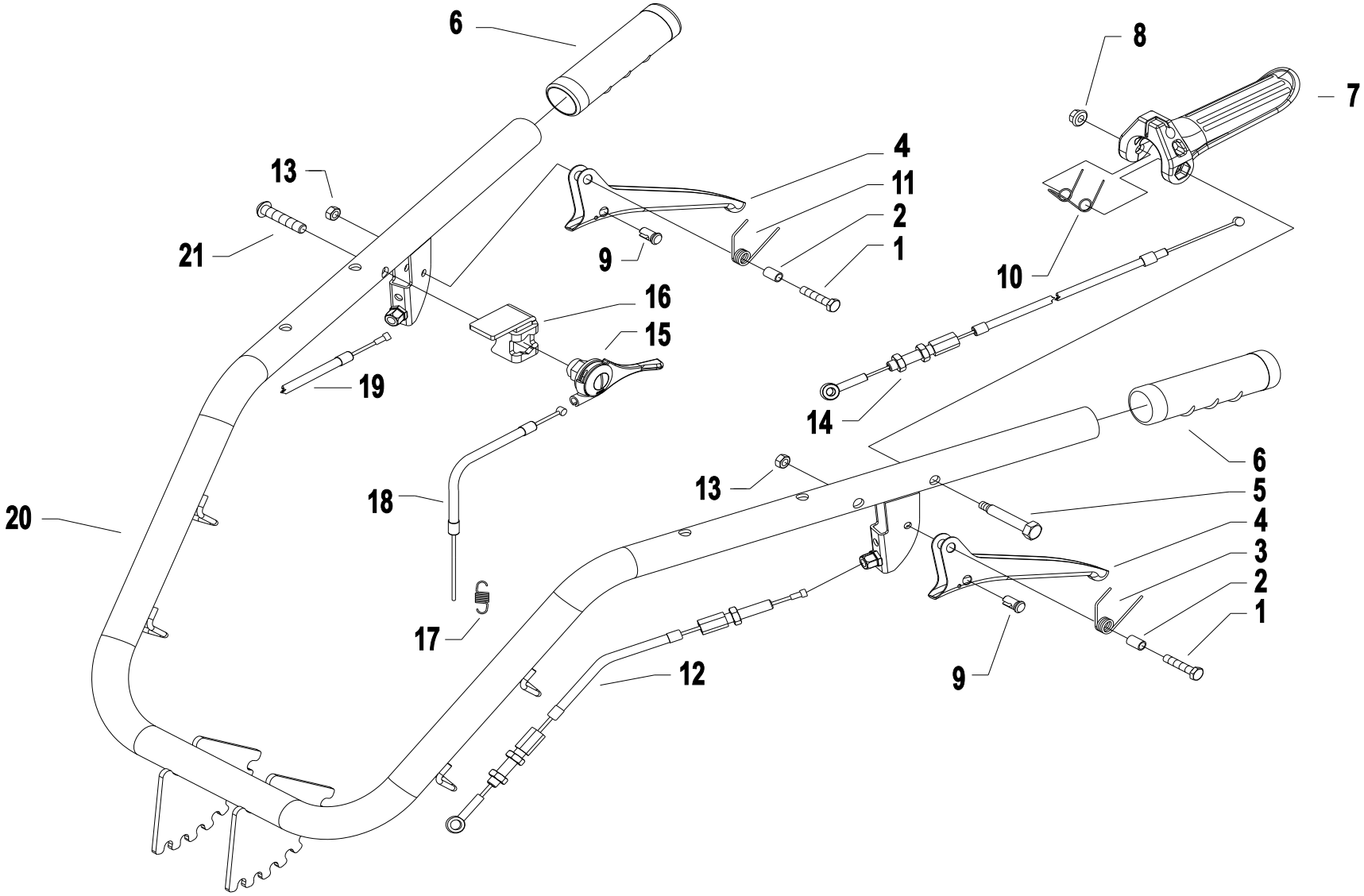
Rev.

0

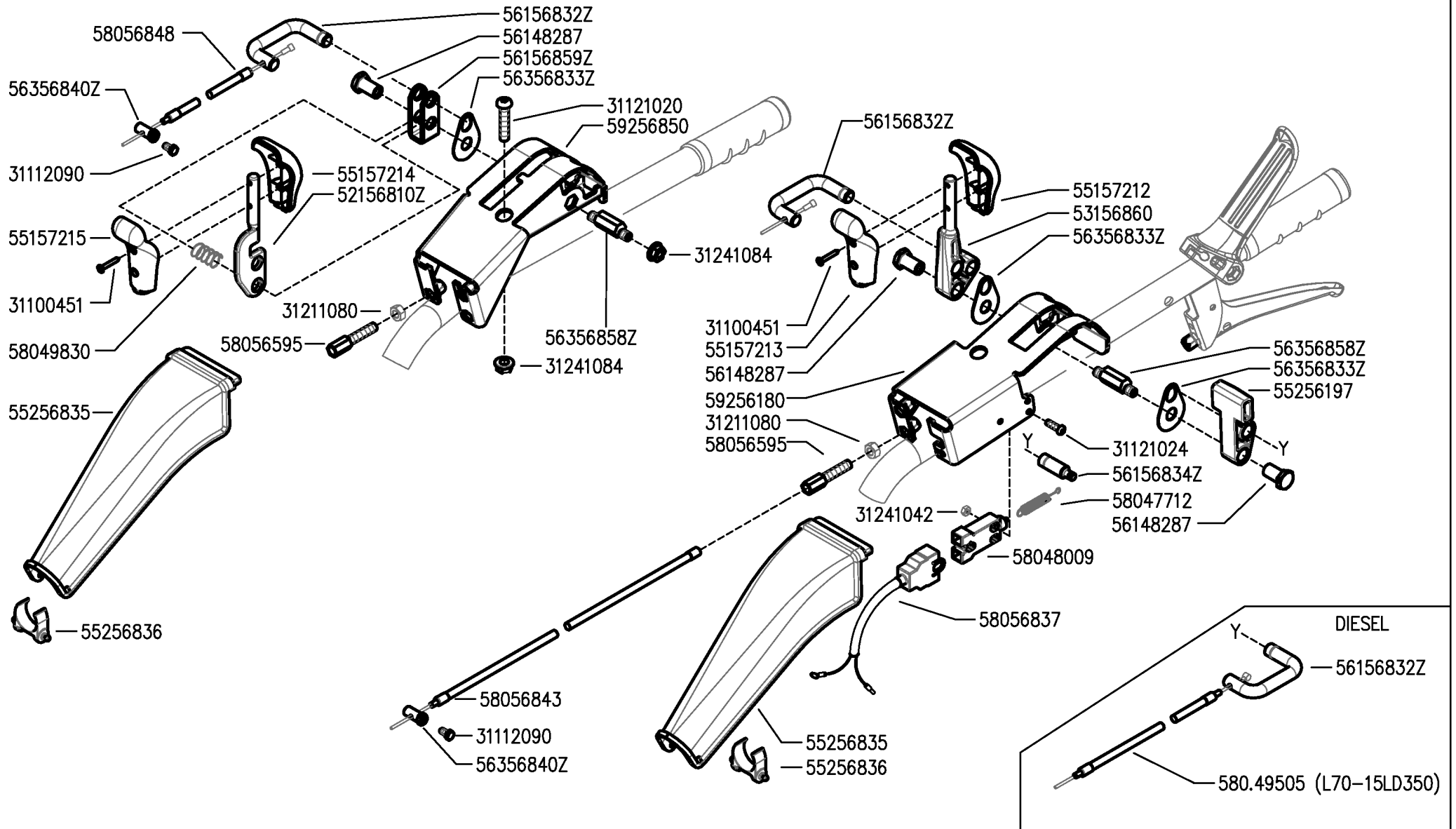
05/2009

Pos.	Code	Q.ty	Description	Notes
31112089	31112089	1	SCREW TE M6X25 UNI 5739 8G	
31121020	31121020	1	SCREW TBCEI M8X40 ISO7380 10K Z	
31241060	31241060	1	HEXAGON SELFLOCK NUT M6	
31241065	31241065	1	SELFLOCK NUT M6	
55256185	55256185	1	LEVER	
58002538	58002538	1	COMMAND LEVER	
58048000	58048000	1	KNOB	
58050345	58050345	1	SPRING	
58056154	58056154	1	RESTORING SPRING	Utilizzato con motore GX200
58056155	58056155	1	RESTORING SPRING	Utilizzato con motore GX270
58056190	58056190	1	LINE	
58056191	58056191	1	LINE	
58056193	58056193	1	COLUMN TRANSMISSION	
58056593	58056593	1	SPRING	
58056811	58056811	1	LINE AND SHEATH	
58056812	58056812	1	LINE AND SHEATH	
58150313	58150313	1	CABLE CLAMP	
59256175	59256175	1	HANDLE BAR	
56148470	56148470N	1	LEVER	
56156603	56156603Z	1	SPACER	
56156874	56156874N	1	PANEL	
56356184	56356184Z	1	LEVER PIN	
58056186	58056186Z	1	SPRING	

HANDLEBAR



Pos.	Code	Q.ty	Description	Notes
1	31112089	1	SCREW TE M6X25 UNI 5739 8G	
2	56156603Z	1	SPACER	
3	58050345	1	SPRING	
4	56148470N	1	LEVER	
5	56356184Z	1	LEVER PIN	
6	58048000	1	KNOB	
7	55256185	1	LEVER	
8	31241065	1	SELFLOCK NUT M6	
9	58150313	1	CABLE CLAMP	
10	58056186Z	1	SPRING	
11	58056593	1	SPRING	
12	58056190	1	LINE	
13	31241060	1	HEXAGON SELFLOCK NUT M6	
14	58056191	1	LINE	
15	58002538	1	COMMAND LEVER	
16	56156874N	1	PANEL	
17	58056154	1	RESTORING SPRING	Utilizzato con motore GX200 - For the engine GX200
17	58056155	1	RESTORING SPRING	Utilizzato con motore GX270 - For the engine GX270
18	58056812	1	LINE AND SHEATH	L70-L100-15LD350
18	58056815	1	LINE AND SHEATH	GX200-GX270-GX340-EX21
19	58056193	1	COLUMN TRANSMISSION	
20	59256175	1	HANDLE BAR	
21	31121020	1	SCREW TBCEI M8X40 ISO7380 10K Z	



300 serie PS
PowerSafe®

HANDLEBAR CONTROLS

CONTROLES EN EL MANILLAR

COMANDI SUL MANUBRIO
(320)

CONTROLES SUR LE MANCHERON

KONTROLLEN AM LINCHER

DALLA MACCHINA
DE LA MAQUINA
DE LA MAQUINA
FROM THE MACHINE
AB DER MASCHINE

N.

L02 0

05/2009

Rev.

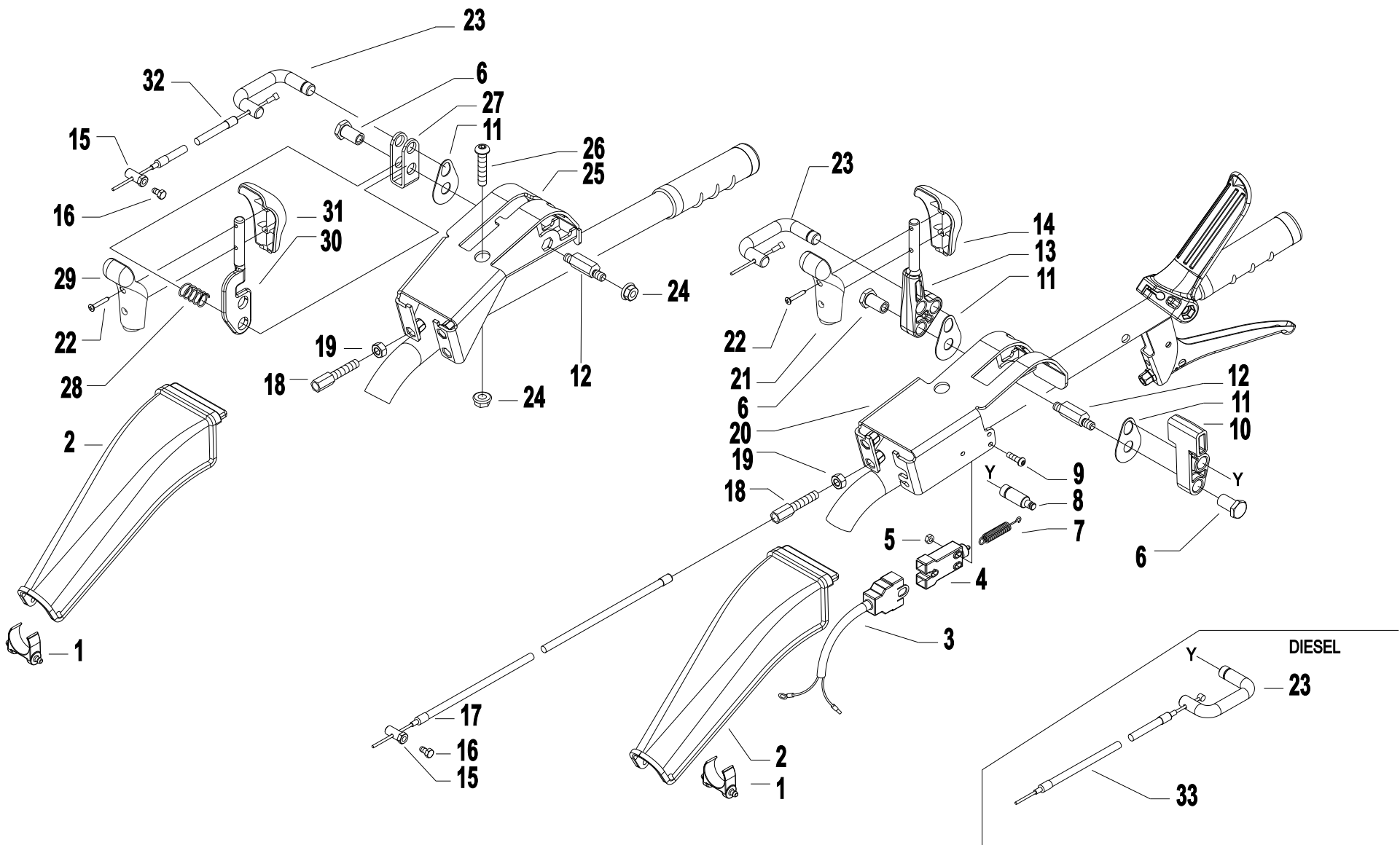
Pos.	Code	Q.ty	Description	Notes
31100451	31100451	1	SCREW 3,5X25	
31112090	31112090	1	SCREW TE M6X16 UNI 5739 8G	
31121020	31121020	1	SCREW TBCEI M8X40 ISO7380 10K Z	
31121024	31121024	1	SCREW TBCEI FL.M4X25	
31211080	31211080	1	NUT M8	
31241042	31241042	1	SELFLOCK NUT M4 FL.6S	
31241084	31241084	1	SELFLOCK NUT M8 6S	
53156860	53156860	1	COMMAND LEVER	
55157212	55157212	1	GRIP	
55157213	55157213	1	GRIP	
55157214	55157214	1	GRIP	
55157215	55157215	1	GRIP	
55256197	55256197	1	LEVER	
55256835	55256835	1	PROTECTION COVER	
55256836	55256836	1	CROSS MEMBER	
56148287	56148287	1	STUD BOLT	
58047712	58047712	1	SPRING	
58048009	58048009	1	SWITCH	
58049505	58049505	1	LINE AND SHEATH	
58049830	58049830	1	SPRING	
58056595	58056595	1	ADJUSTING SCREW	
58056837	58056837	1	WIRING	
58056843	58056843	1	LINE AND SHEATH	
58056848	58056848	1	LINE AND SHEATH	
59256180	59256180	1	SUPPORT	
59256850	59256850	1	SUPPORT	
52156810	52156810Z	1	COMMAND LEVER	
56156832	56156832Z	1	U BOLT	
56156834	56156834Z	1	INDEXING BOLT	
56156859	56156859Z	1	FORK	
56356833	56356833Z	1	SMALL PLATE	
56356840	56356840Z	1	CLAMPING SCREW	
56356858	56356858Z	1	PIN	

SERIAL

HANDLEBAR CONTROLS

CODE REV

L02_0_67324



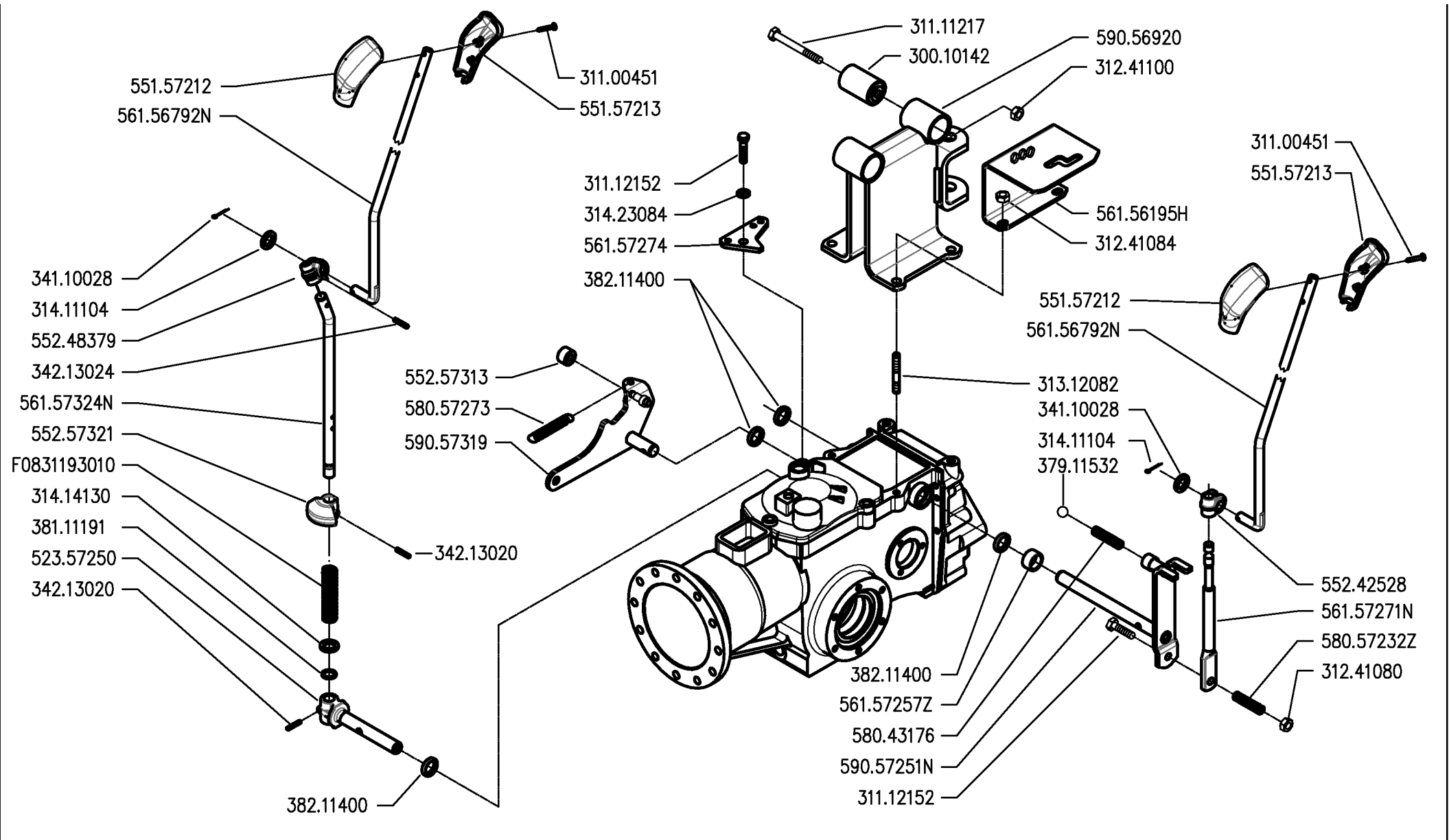
Pos.	Code	Q.ty	Description	Notes
1	55256836	1	CROSS MEMBER	
2	55256835	1	PROTECTION COVER	
3	58056837	1	WIRING	
4	58048009	1	SWITCH	
5	31241042	1	SELFLOCK NUT M4 FL.6S	
6	56148287	1	STUD BOLT	
7	58047712	1	SPRING	
8	56156834Z	1	INDEXING BOLT	
9	31121024	1	SCREW TBCEI FL.M4X25	
10	55256197	1	LEVER	
11	56356833Z	1	SMALL PLATE	
12	56356858Z	1	PIN	
13	53156860	1	COMMAND LEVER	
14	55157212	1	GRIP	
15	56356840Z	1	CLAMPING SCREW	
16	31112090	1	SCREW TE M6X16 UNI 5739 8G	
17	58056843	1	LINE AND SHEATH	
18	58056595	1	ADJUSTING SCREW	
19	31211080	1	NUT M8	
20	59256180	1	SUPPORT	
21	55157213	1	GRIP	
22	31100451	1	SCREW 3,5X25	
23	56156832Z	1	U BOLT	
24	31241084	1	SELFLOCK NUT M8 6S	
25	59256850	1	SUPPORT	
26	31121020	1	SCREW TBCEI M8X40 ISO7380 10K Z	
27	56156859Z	1	FORK	
28	58049830	1	SPRING	
29	55157215	1	GRIP	
30	52156810Z	1	COMMAND LEVER	
31	55157214	1	GRIP	
32	58056848	1	LINE AND SHEATH	
33	58049505	1	LINE AND SHEATH	For engines L70/15LD350

SERIAL

HANDLEBAR CONTROLS

CODE REV

L.02.01.A0003_01



300 serie PS
PowerSafe®

CONTROLS
MANDOS

COMANDI
(320-330)

COMMANDES
ANTRIEBE

DALLA MACCHINA
DE LA MAQUINA
DE LA MACHINA
FROM THE MACHINE
AB DER MASCHINE

N.	

Rev. M02 0
05/2009

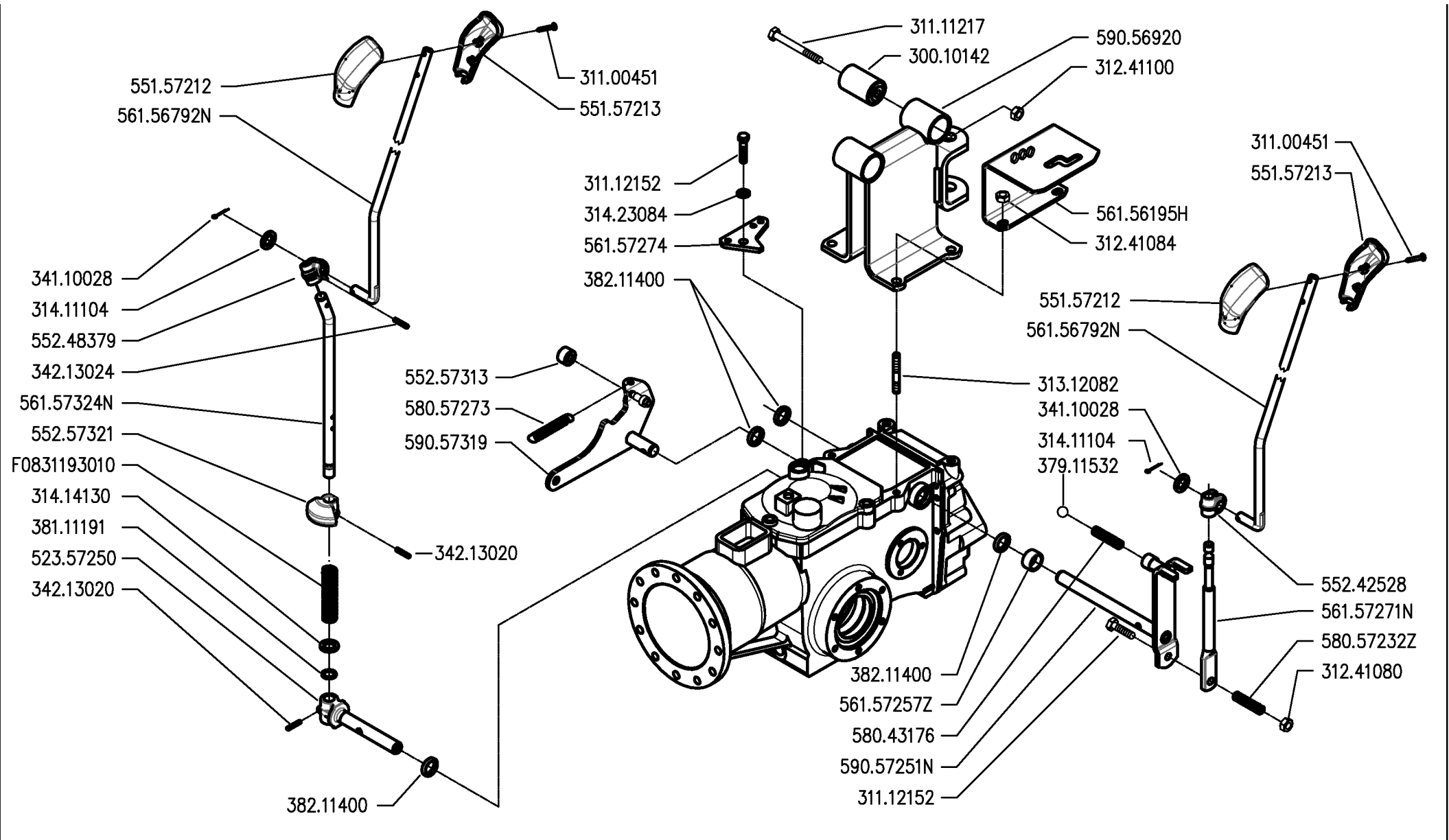
Pos.	Code	Q.ty	Description	Notes
30010142	30010142	1	SILENT-BLOCK 10,2X30X45X49	
31100451	31100451	1	SCREW 3,5X25	
31111217	31111217	1	SCREW TE M10X75 UNI 5737 8G	
31112152	31112152	1	SCREW TE M8X30 UNI 5739 8G	
31241084	31241084	1	SELFLOCK NUT M8 6S	
31241100	31241100	1	SELFLOCK HEXAGON NUT M10	
31312082	31312082	1	STUD BOLT M8X38X14X20	
31411104	31411104	1	WASHER 10,5x18	
31414130	31414130	1	WASHER 13	
31423084	31423084	1	SPRING WASHER 8,4	
34110028	34110028	1	SPLIT PIN	
34213020	34213020	1	ROLL PIN	
34213024	34213024	1	ROLL PIN	
37911532	37911532	1	BALL 15/32	
38111191	38111191	1	O-RING	
38211400	38211400	1	OIL SEAL 14X22X4	
52357250	52357250	1	PIN	
55157212	55157212	1	GRIP	
55157213	55157213	1	GRIP	
55242528	55242528	1	JOINT	
55248379	55248379	1	JOINT	
55257313	55257313	1	ROLLER	
55257321	55257321	1	STOP	
56157274	56157274	1	SQUARE	
58043176	58043176	1	SPRING	
58057273	58057273	1	SPRING	
59056920	59056920	1	SUPPORT	
59057319	59057319	1	LEVER	
56156195	56156195H	1	GEAR SELECTOR	
56156792	56156792N	1	PULL ROD	
56157257	56157257Z	1	SPACER	
56157271	56157271N	1	COMMAND LEVER	
56157324	56157324N	1	PTO LEVER	
58057232	58057232Z	1	SPRING	


SERIAL

CONTROLS

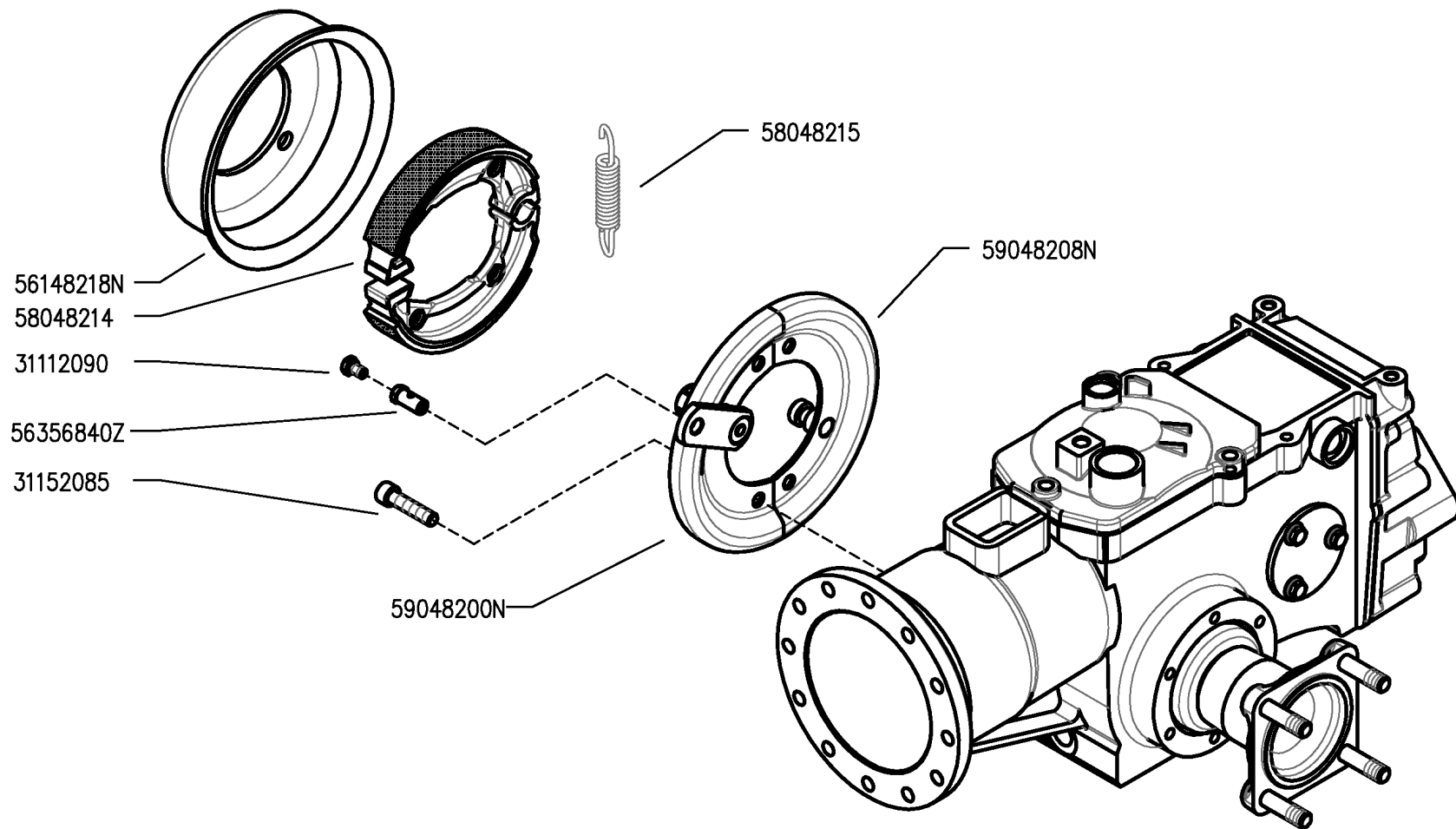
CODE REV

M02_0_67438



	300 serie PS <i>PowerSafe®</i>	CONTROLS MANDOS	COMANDI (320-330)	COMMANDES ANTRIEBE	DALLA MACCHINA DE LA MAQUINA DE LA MACHINA FROM THE MACHINE AB DER MASCHINE	_____ _____ _____ N.	Rev. M02 0
						_____ _____ _____ _____	05/2009

Pos.	Code	Q.ty	Description	Notes
59057251	59057251N	1	GEAR LEVER	
F0831193	F0831193010	1	SPRING DM.15X70	



300 serie PS
PowerSafe®

BRAKE
FRENO

FRENO
(310-320)

FREIN
BREMSE

DALLA MACCHINA
DE LA MACCHINA
DE LA MACCHINA
FROM THE MACHINE
AB DER MASCHINE

N.

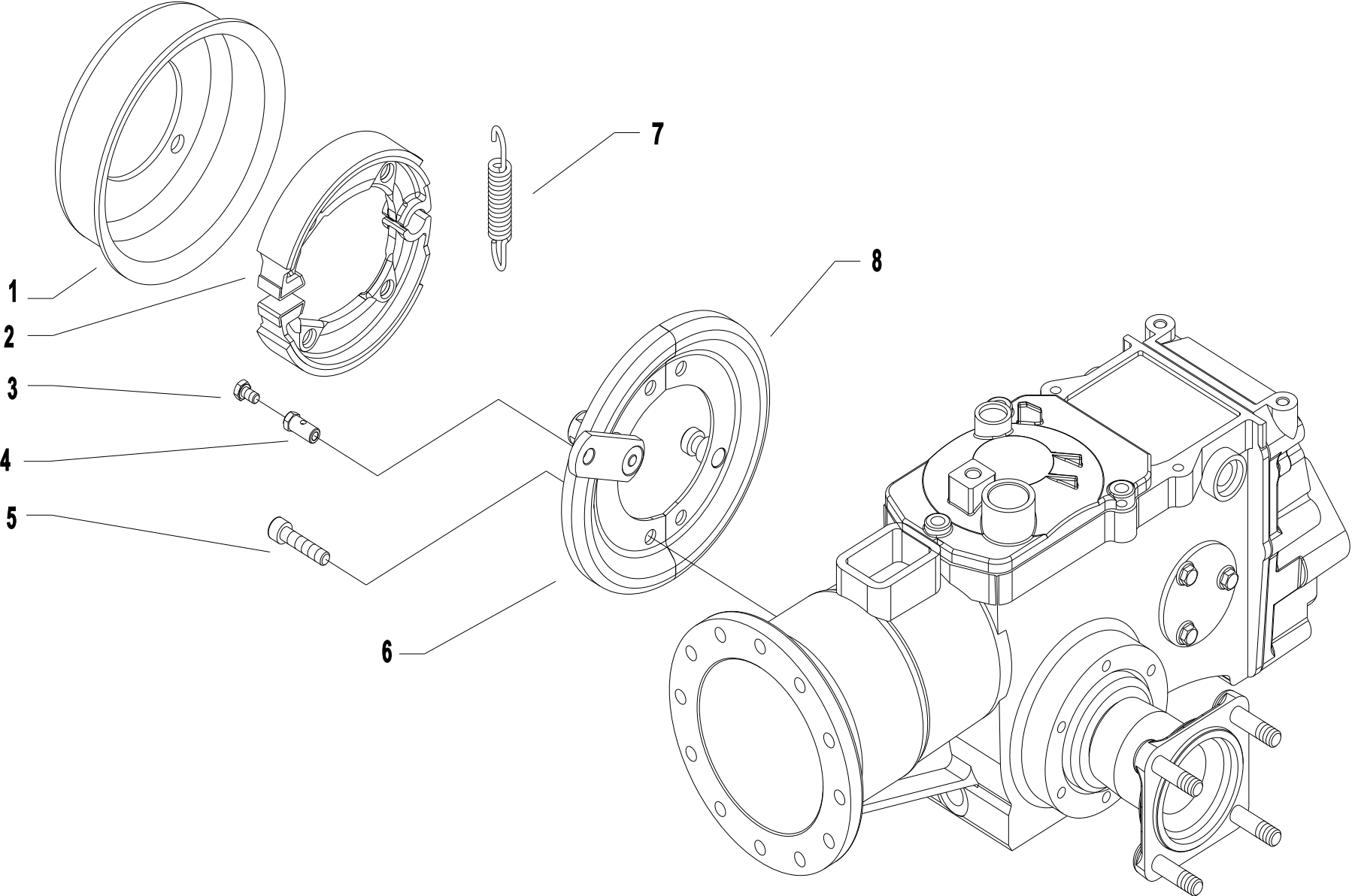
N01

Rev.

0

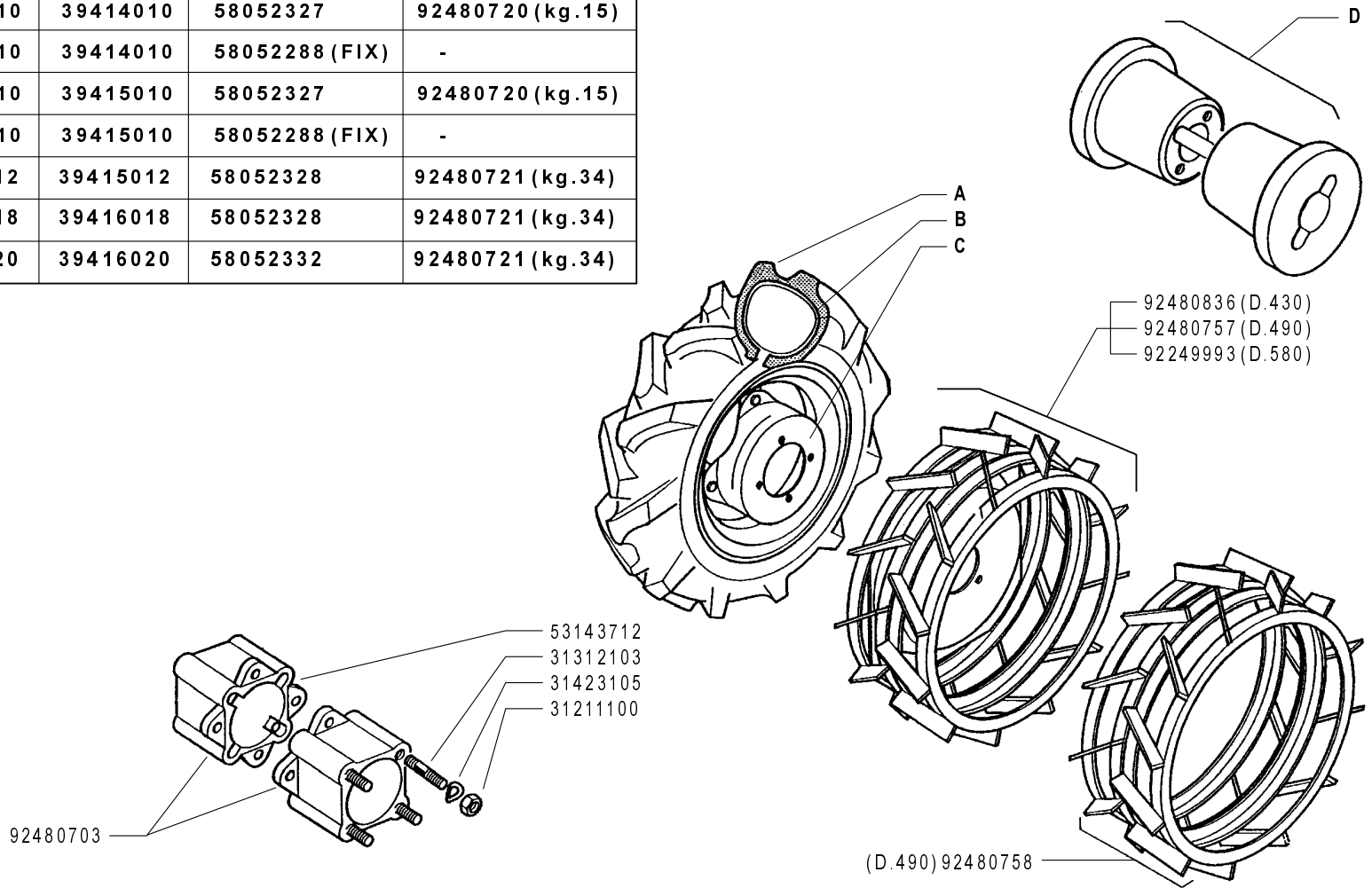
05/2009

Pos.	Code	Q.ty	Description	Notes
31112090	31112090	1	SCREW TE M6X16 UNI 5739 8G	
31152085	31152085	1	SCREW TCEI M8X25 UNI 5931	
58048214	58048214	1	BRAKE BLOCK	
58048215	58048215	1	SPRING	
56148218	56148218N	1	BRAKE DRUM	
56356840	56356840Z	1	CLAMPING SCREW	
59048200	59048200N	1	HALF DISC	
59048208	59048208N	1	HALF DISC	



Pos.	Code	Q.ty	Description	Notes
1	56148218N	1	BRAKE DRUM	
2	58048214	1	BRAKE BLOCK	
3	31112090	1	SCREW TE M6X16 UNI 5739 8G	
4	56356840Z	1	CLAMPING SCREW	
5	31152085	1	SCREW TCEI M8X25 UNI 5931	
6	59048200N	1	HALF DISC	
7	58048215	1	SPRING	
8	59048208	1	HALF DISC	

	A	B	C	D
4.00 - 8"	39114008	39414008	58052326	92480719 (kg.11)
4.0 - 10"	39114010	39414010	58052327	92480720 (kg.15)
4.0 - 10"	39114010	39414010	58052288 (FIX)	-
5.0 - 10"	39115010	39415010	58052327	92480720 (kg.15)
5.0 - 10"	39115010	39415010	58052288 (FIX)	-
5.00 - 12"	39115012	39415012	58052328	92480721 (kg.34)
6.5/80 - 12"	39116018	39416018	58052328	92480721 (kg.34)
6.5/80 - 15"	39116020	39416020	58052332	92480721 (kg.34)



FERRARI

300 serie **PS**
PowerSafe®

RUOTE

WHEELS
RUEDAS

ROUES
RÄDER

DALLA MACCHINA
FROM THE MACHINE
DE LA MACHINE
DE LA MAQUINA
AB DER MASCHINE

N.

P01 0

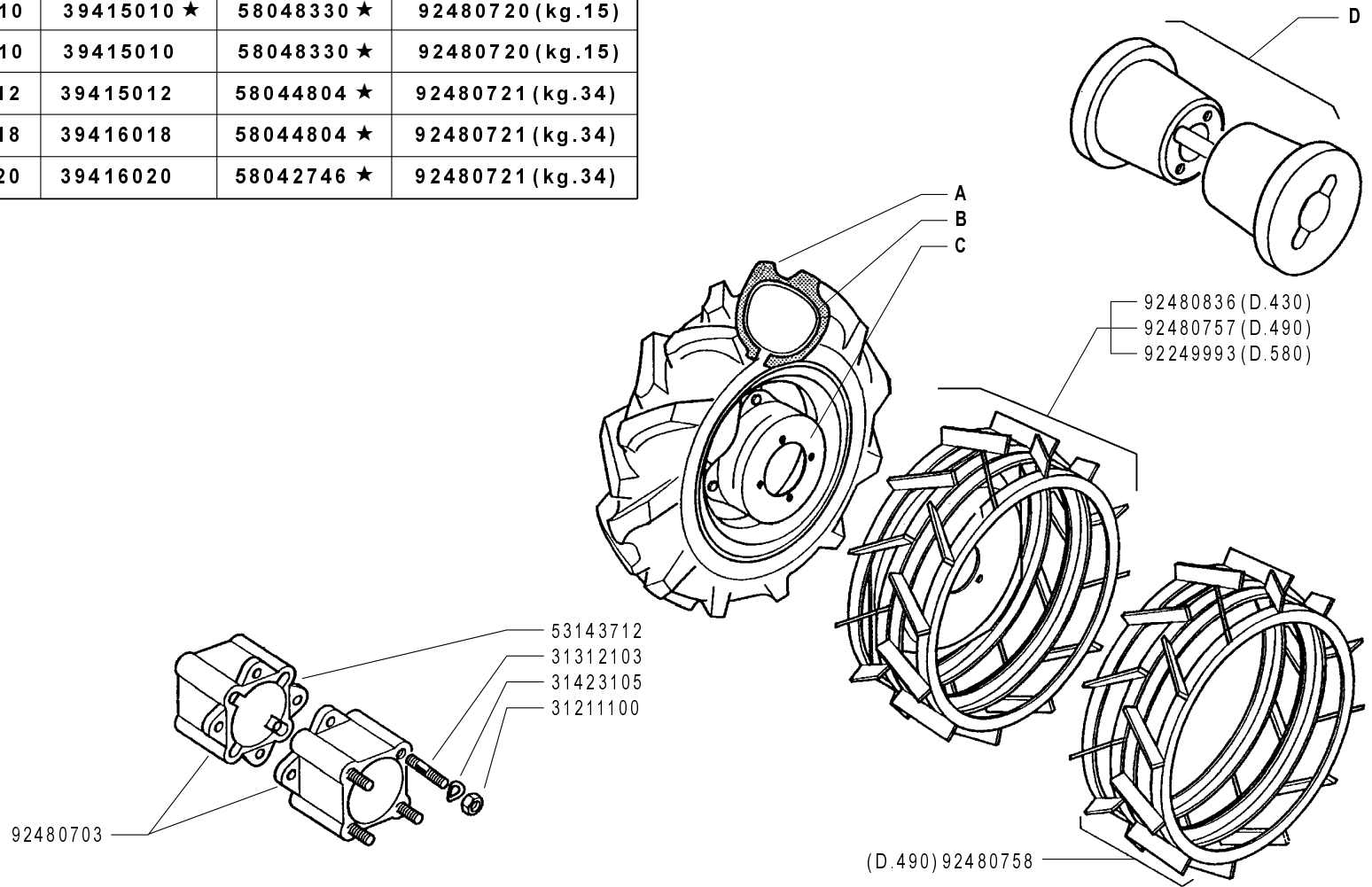
05/2009

Rev.

ZENNE

Pos.	Code	Q.ty	Description	Notes
31211100	31211100	1	NUT M10	
31312103	31312103	1	STUD BOLT M10X46X24X16	
31423105	31423105	1	SPRING WASHER 10,5	
39114008	39114008	1	TYRE 4.00-8 2PR	
39114010	39114010	1	TYRE 4.0-10 2PR	
39115010	39115010	1	TYRE 5.00-10 2PR	
39115012	39115012	1	TYRE 5.00-12 2PR	
39116018	39116018	1	TYRE 6.5/80-12 2PR	
39116020	39116020	1	TYRE 6.5/80-15 4PR	
39414008	39414008	1	INNER TUBE	
39414010	39414010	1	INNER TUBE	
39415010	39415010	1	INNER TUBE	
39415012	39415012	1	INNER TUBE	
39416018	39416018	1	INNER TUBE	
39416020	39416020	1	INNER TUBE	
53143712	53143712	1	SPACER	
58052288	58052288	1	RIM	
58052326	58052326	1	RIM	
58052327	58052327	1	RIM	
58052328	58052328	1	RIM	
58052332	58052332	1	RIM	
92249993	92249993	1	STEEL CAGE WHEELS D. 58 (PAIR)	
92480703	92480703	1	SPACER CM. 6 FOR WHEELS (PAIR)(0901012301)	
92480719	92480719	1	WEIGHTS KG. 11 FOR WHEELS 4.00-8 FOR 305/306 (PAIR)	
92480720	92480720	1	WEIGHTS KG. 15 FOR WHEELS 4.0-10 AND 5.0-10 FOR 305/306/307 (PAIR)	
92480721	92480721	1	WEIGHTS KG. 34 FOR WHEELS 5.00-12 / 6.5/80-12 (PAIR) (0901012307)	
92480757	92480757	1	CAGE WHEELS DIAM. CM. 49 FOR 306/30 (PAIR) (0901012315)	
92480758	92480758	1	ADAPTER RINGS FOR MOUNTING STEEL CAGE WHEELS CM. 49 (PAIR)	
92480836	92480836	1	STEEL CAGE WHEELS DIAM. 43 CM.	

	A	B	C	D
4.00 - 8"	39114008	39414008	58043250 ★	92480719 (kg.11)
4.0 - 10"	39114010	39415010 ★	58048330 ★	92480720 (kg.15)
5.0 - 10"	39115010	39415010	58048330 ★	92480720 (kg.15)
5.00 - 12"	39115012	39415012	58044804 ★	92480721 (kg.34)
6.5/80 - 12"	39116018	39416018	58044804 ★	92480721 (kg.34)
6.5/80 - 15"	39116020	39416020	58042746 ★	92480721 (kg.34)



FERRARI

300 serie **PS**
PowerSafe®

WHEELS
RUEDAS

RUOTE

ROUES
RÄDER

DALLA MACCHINA
FROM THE MACHINE
DE LA MACHINE
DE LA MAQUINA
AB DER MASCHINE

★ N.

AGGIORNAMENTO

REVISION

MISE A JOUR

APLAZAMIENTO

ANPASSUNG

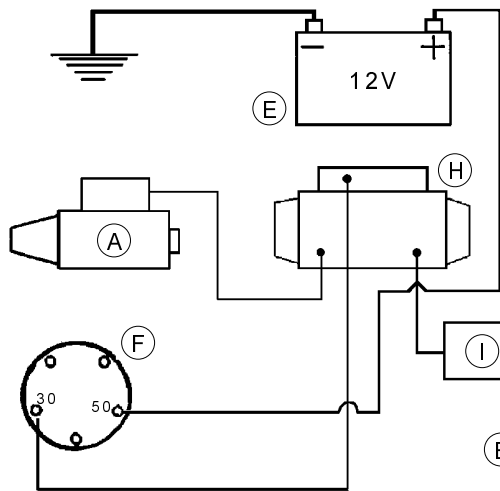
P01 1

11/2010

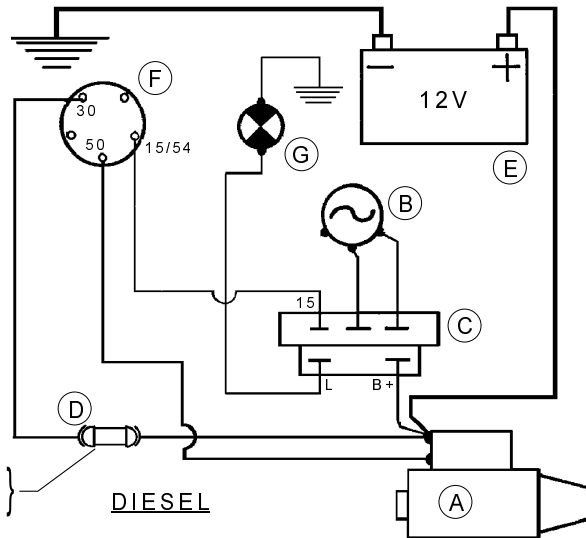
Rev.

ZENNE

Pos.	Code	Q.ty	Description	Notes
31211100	31211100	1	NUT M10	
31312103	31312103	1	STUD BOLT M10X46X24X16	
31423105	31423105	1	SPRING WASHER 10,5	
39114008	39114008	1	TYRE 4.00-8 2PR	
39114010	39114010	1	TYRE 4.0-10 2PR	
39115010	39115010	1	TYRE 5.00-10 2PR	
39115012	39115012	1	TYRE 5.00-12 2PR	
39116018	39116018	1	TYRE 6.5/80-12 2PR	
39116020	39116020	1	TYRE 6.5/80-15 4PR	
39414008	39414008	1	INNER TUBE	
39414010	39414010	1	INNER TUBE	
39415010	39415010	1	INNER TUBE	
39415012	39415012	1	INNER TUBE	
39416018	39416018	1	INNER TUBE	
39416020	39416020	1	INNER TUBE	
53143712	53143712	1	SPACER	
58042746	58042746	1	RIM	
58043250	58043250	1	RIM	
58044804	58044804	1	RIM	
58048330	58048330	1	RIM	
58052332	58052332	1	RIM	
92249993	92249993	1	STEEL CAGE WHEELS D. 58 (PAIR)	
92480703	92480703	1	SPACER CM. 6 FOR WHEELS (PAIR)(0901012301)	
92480719	92480719	1	WEIGHTS KG. 11 FOR WHEELS 4.00-8 FOR 305/306 (PAIR)	
92480720	92480720	1	WEIGHTS KG. 15 FOR WHEELS 4.0-10 AND 5.0-10 FOR 305/306/307 (PAIR)	
92480721	92480721	1	WEIGHTS KG. 34 FOR WHEELS 5.00-12 / 6.5/80-12 (PAIR) (0901012307)	
92480757	92480757	1	CAGE WHEELS DIAM. CM. 49 FOR 306/30 (PAIR) (0901012315)	
92480758	92480758	1	ADAPTER RINGS FOR MOUNTING STEEL CAGE WHEELS CM. 49 (PAIR)	
92480836	92480836	1	STEEL CAGE WHEELS DIAM. 43 CM.	

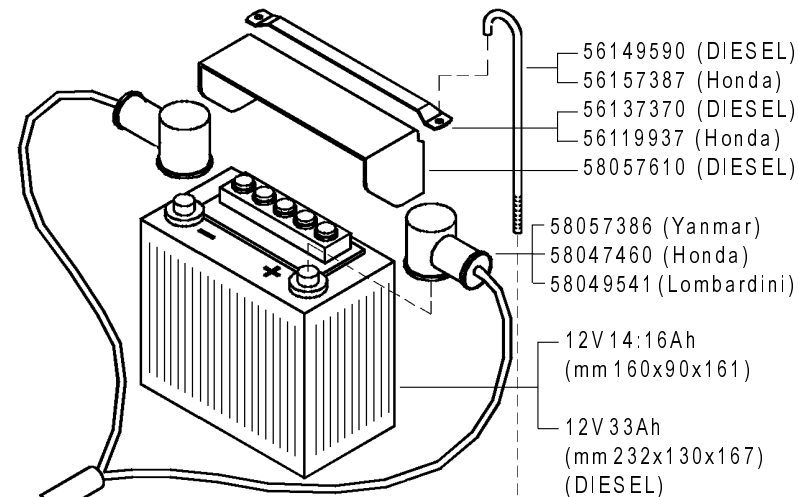


HONDA



(Yanmar) 15A
(Lombardini) 25A

DIESEL

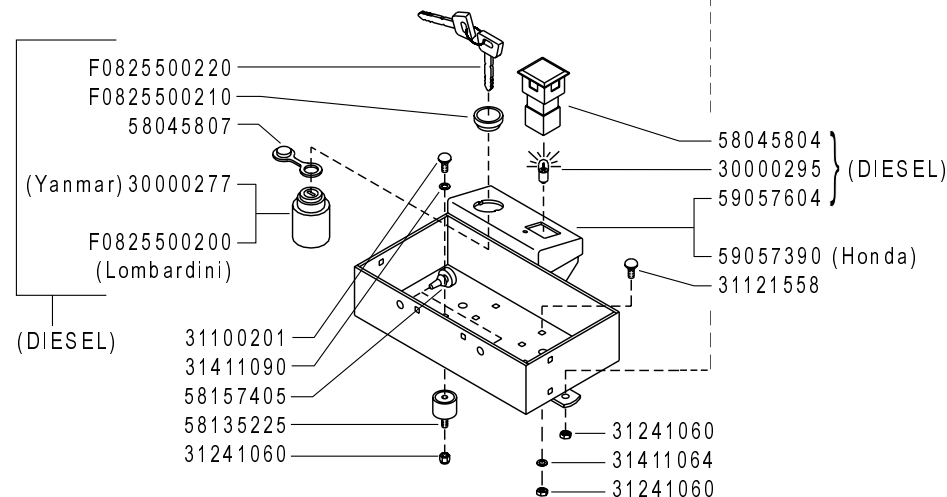


- 56149590 (DIESEL)
- 56157387 (Honda)
- 56137370 (DIESEL)
- 56119937 (Honda)
- 58057610 (DIESEL)
- 58057386 (Yanmar)
- 58047460 (Honda)
- 58049541 (Lombardini)

- 12V 14:16Ah
(mm 160x90x161)
- 12V 33Ah
(mm 232x130x167)
(DIESEL)

A	B	C	D
MOTORINO D'AVVIAMENTO STARTER DÉMARREUR MOT. DE ARRANQUE ANLASSMOTOR	GENERATORE GENERATOR GÉNÉRATEUR GENERADOR GENERATOR	REGOLATORE REGULATOR RÉGULATEUR REGULADOR REGLER	FUSIBILI FUSES FUSIBLES FUSIBLES SCHMELZSICHERUNGEN

E	F	G	H	I
BATTERIA BATTERY BATTERIE BATERIA BATERIE	INTERRUTTORE SWITCH INTERRUPTEUR INTERRUPTOR SCHALTER	SPIA CARICA BATTERIA BATTERY LONG WARN. LIGHT TEMOIN CHARG. BATTERIE LUZ CARGA BATERIA BATTERIELADUNG KTRL. LAMPE	SOLENOIDE SOLENOID SOLÉNOÏDE SOLENOIDE SOLENOID	DIODO DIODE DIODE DIODE DIODE



- F0825500220
- F0825500210
- 58045807
- (Yanmar) 30000277
- F0825500200
(Lombardini)
- (DIESEL)
- 58045804
- 30000295
- 59057604
- 59057390 (Honda)
- 31121558
- 31100201
- 31411090
- 58157405
- 58135225
- 31241060
- 31241060
- 31411064
- 31241060

FERRARI

300 serie **PS**
PowerSafe®

AVVIAMENTO ELETTRICO

ELECTRIC STARTER
ARRANQUE ELECTRICO

DÉMARRAGE ELECTRIQUE
ELEKTROSTART

DALLA MACCHINA
FROM THE MACHINE
DE LA MACHINE
DE LA MAQUINA
AB DER MASCHINE

N.

Q01 0

05/2009

Rev.

ZENNE

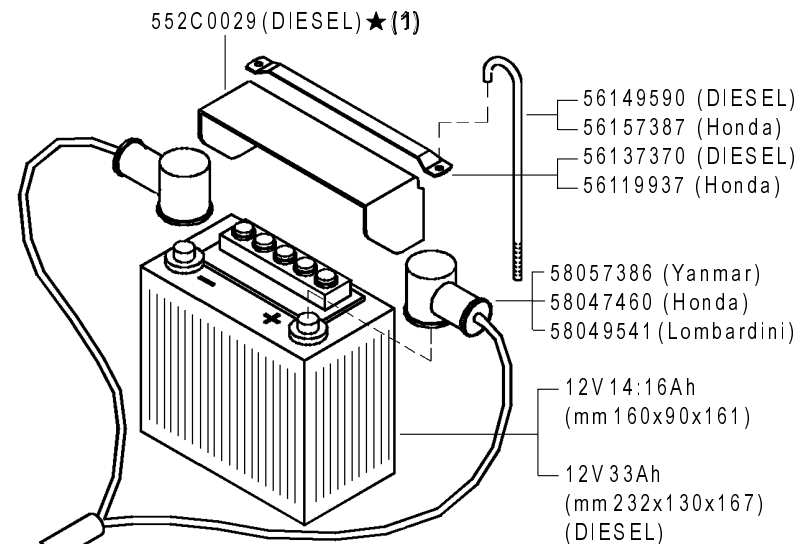
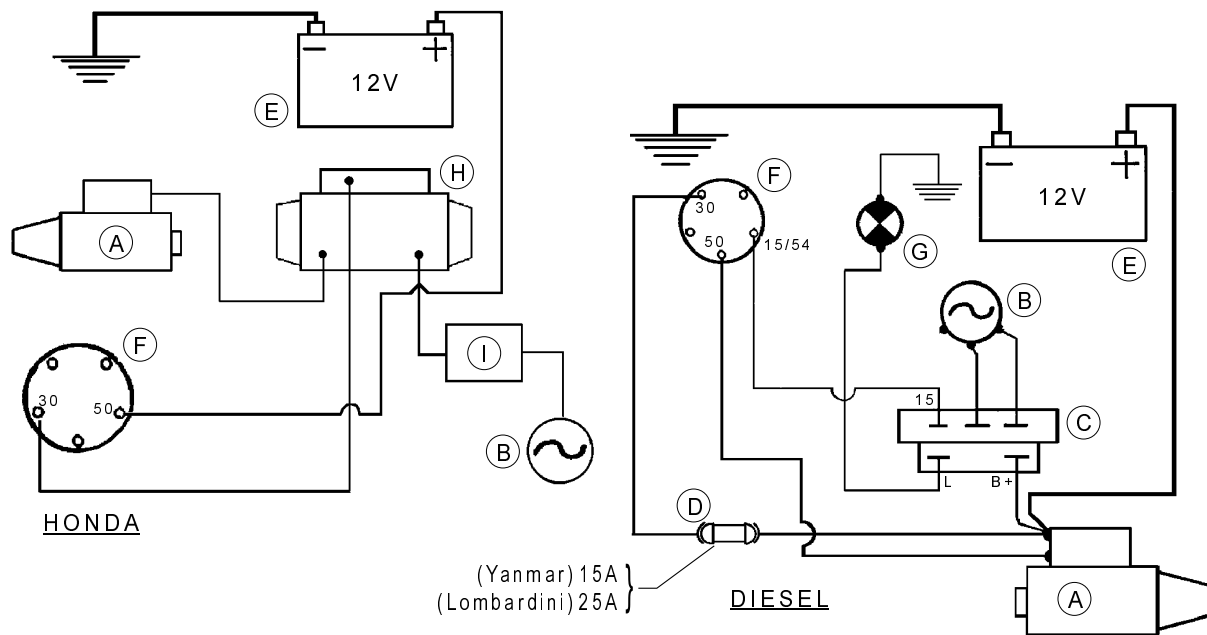
Pos.	Code	Q.ty	Description	Notes
30000277	30000277	1	SWITCH	
30000295	30000295	1	LAMP	
31100201	31100201	1	SCREW TTQ M6X12 UNI 5731	
31121558	31121558	0	SCREW TTQ M6X16 UNI 5731	
31241060	31241060	1	HEXAGON SELFLOCK NUT M6	
31411064	31411064	1	WASHER 6,4x12,5	
31411090	31411090	1	WASHER 9x24	
56119937	56119937	1	BATTERY SUPPORT	
56137370	56137370	1	BATTERY BRACKET	
56149590	56149590	1	BATTERY BRACKET	
56157387	56157387	1	ROD	
58045804	58045804	1	WARNING LIGHT	
58045807	58045807	1	LOCK COVER	
58047460	58047460	1	WIRING	
58049541	58049541	1	WIRING	
58057386	58057386	1	WIRING	
58057610	58057610	1	BOX	
58135225	58135225	0	VIBRATION-DAMPING	
58157405	58157405	1	PLUG	
59057390	59057390	1	BOX	
59057604	59057604	1	BOX	
F0825500	F0825500200	1	CHANGE-OVER SWITCH	
F0825500	F0825500210	1	RING NUT	
F0825500	F0825500220	1	KEY	

SERIAL

Q01_00 - ELECTRIC STARTER

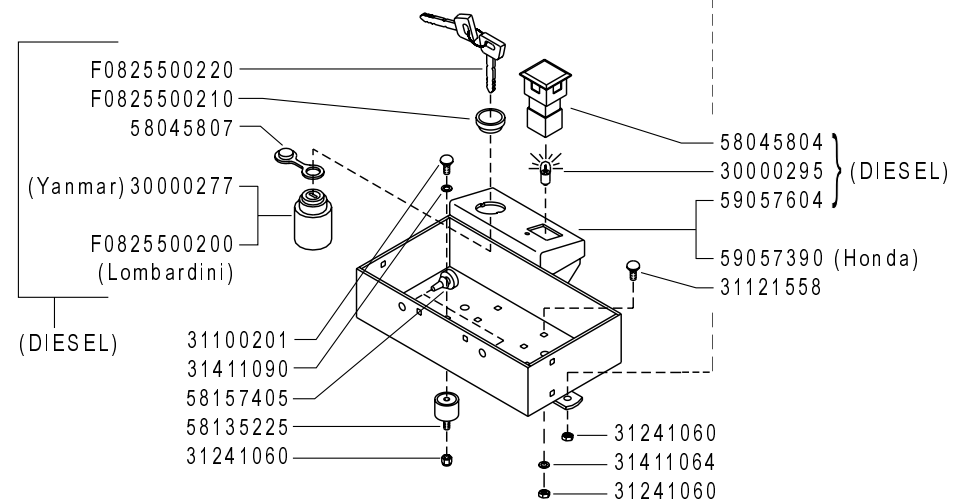
CODE REV

Q01_0_67569



A	B	C	D
MOTORINO D'AVVIAMENTO STARTER DÉMARREUR MOT. DE ARRANQUE ANLASSMOTOR	GENERATORE GENERATOR GÉNÉRATEUR GENERADOR GENERATOR	REGOLATORE REGULATOR RÉGULATEUR REGULADOR REGLER	FUSIBILI FUSES FUSIBLES FUSIBLES SCHMELZSICHERUNGEN

E	F	G	H	I
BATTERIA BATTERY BATTERIE BATERIA BATERIE	INTERRUTTORE SWITCH INTERRUPTEUR INTERRUPTOR SCHALTER	SPIA CARICA BATTERIA BATTERY LONG WARN. LIGHT TEMOIN CHARG. BATTERIE LUZ CARGA BATERIA BATTERIE LADUNG KTRL. LAMPE	SOLENOIDE SOLENOID SOLÉNOÏDE SOLENOIDE SOLENOID	DIODO DIODE DIODE DIODE DIODE



(1) sostituisce 58057610

FERRARI

300 serie **PS**
PowerSafe®

AVVIAMENTO ELETTRICO

ELECTRIC STARTER
ARRANQUE ELECTRICO

DÉMARRAGE ELECTRIQUE
ELEKTROSTART

DALLA MACCHINA
FROM THE MACHINE
DE LA MACHINE
DE LA MAQUINA
AB DER MASCHINE

★ N.

884219

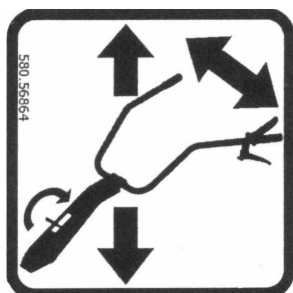
Q01

Rev. **1**

05/2011

ZENNE

Pos.	Code	Q.ty	Description	Notes
30000277	30000277	1	SWITCH	
30000295	30000295	1	LAMP	
31100201	31100201	1	SCREW TTQ M6X12 UNI 5731	
31121558	31121558	0	SCREW TTQ M6X16 UNI 5731	
31241060	31241060	1	HEXAGON SELFLOCK NUT M6	
31411064	31411064	1	WASHER 6,4x12,5	
31411090	31411090	1	WASHER 9x24	
552C0029	552C0029	1	COVER	
56119937	56119937	1	BATTERY SUPPORT	
56137370	56137370	1	BATTERY BRACKET	
56149590	56149590	1	BATTERY BRACKET	
56157387	56157387	1	ROD	
58045804	58045804	1	WARNING LIGHT	
58045807	58045807	1	LOCK COVER	
58047460	58047460	1	WIRING	
58049541	58049541	1	WIRING	
58057386	58057386	1	WIRING	
58135225	58135225	0	VIBRATION-DAMPING	
58157405	58157405	1	PLUG	
59057390	59057390	1	BOX	
59057604	59057604	1	BOX	
F0825500	F0825500200	1	CHANGE-OVER SWITCH	
F0825500	F0825500210	1	RING NUT	
F0825500	F0825500220	1	KEY	



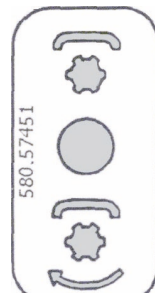
580.56864



580.56866



580.57746



580.57451



580.57676



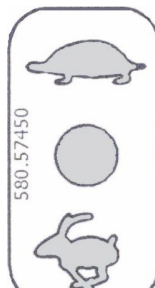
580.57724



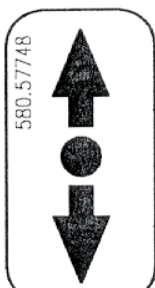
580.56867



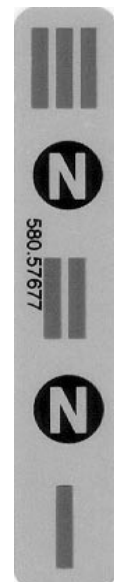
580.56868



580.57450



580.57748



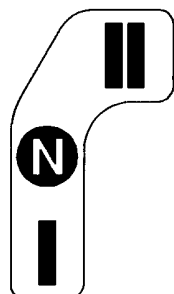
580.57677



580.57767



580.56869

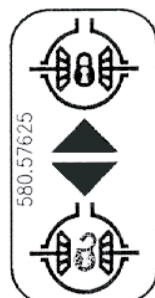


580.57732



580.57747

580.57747



580.57625

580.57625



580.93089

580.93089

FERRARI

300 serie **PS**
PowerSafe ®

ADESIVE

STICKERS
ADHESIVOS

AUTOCOLLANTS
AUFKLEBES

DALLA MACCHINA
FROM THE MACHINE
DE LA MACHINE
DE LA MAQUINA
AB DER MASCHINE

N.

R01 0

05/2009

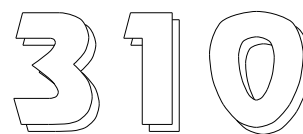
Rev.

ZENNE

Pos.	Code	Q.ty	Description	Notes
58056864	58056864	1	DECAL	
58056866	58056866	1	DECAL	
58056867	58056867	1	DECAL	
58056868	58056868	1	DECAL	
58056869	58056869	1	DECAL	
58057450	58057450	1	DECAL	
58057451	58057451	1	DECAL	
58057625	58057625	1	DECAL	
58057676	58057676	1	DECAL	
58057677	58057677	1	DECAL	
58057724	58057724	1	DECAL	
58057732	58057732	1	DECAL	
58057746	58057746	1	DECAL	
58057747	58057747	1	DECAL	
58057748	58057748	1	DECAL	
58057767	58057767	1	DECAL	
58057768	58057768	1	DECAL	
58093089	58093089	1	DECAL	

PowerSafe ®

1



6



7

EasyDrive ®

2



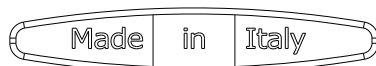
8



9



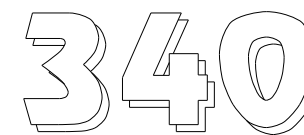
3



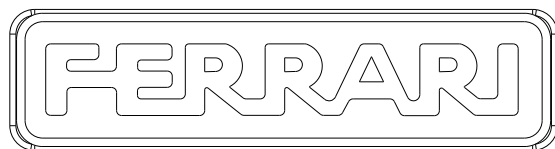
4



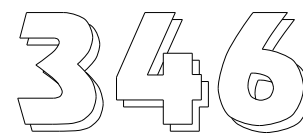
10



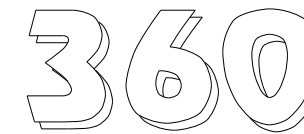
11



5

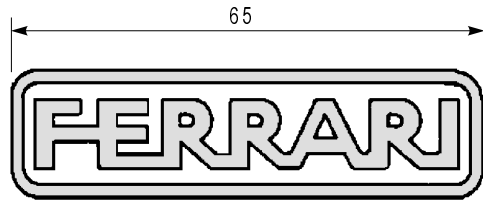


12

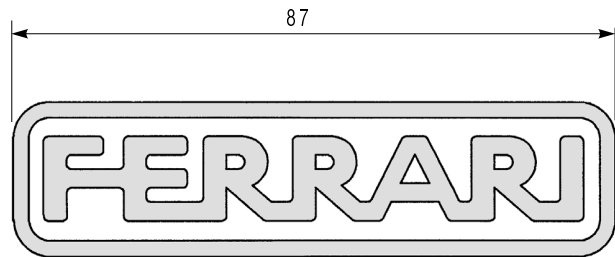


13

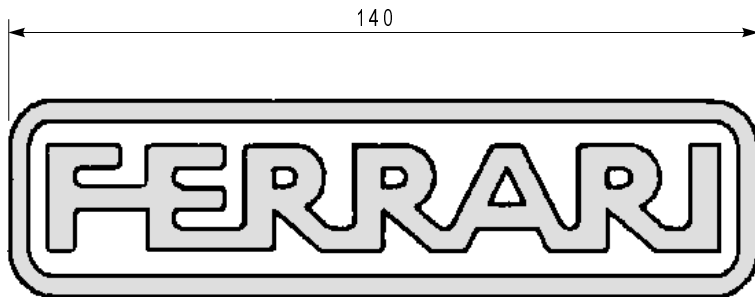
Pos.	Code	Q.ty	Description	Notes
1	53057666	1	POWERSAFE BRAND	
2	53057670	1	DECAL	
3	53052175	1	MEDIUM FERRARI BRAND	
4	530C0056	1	DECAL	
5	53052176	1	BIG FERRARI BRAND	
6	58052178	1	DECAL	
7	58052179	1	DECAL	
8	58052193	1	DECAL	
9	58052180	1	DECAL	
10	58052192	1	DECAL	
11	58052181	1	DECAL	
12	58052182	1	DECAL	
13	58052191	1	DECAL	



58052156



58052019



58052029



53057666

310

58052037

320

58052038

330

58052039

340

58052047

346

58052152

FERRARI

300 serie **PS**
PowerSafe®

STICKERS
ADHESIVOS

ADESIVE

AUTOCOLLANTS
AUFKLEBES

DALLA MACCHINA
FROM THE MACHINE
DE LA MACHINE
DE LA MAQUINA
AB DER MASCHINE

N.

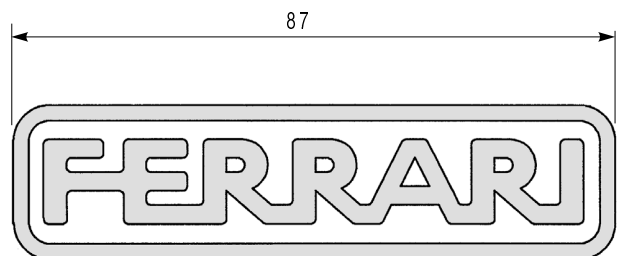
R02 0

05/2009

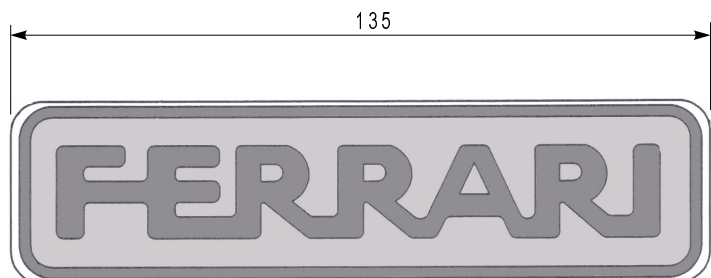
Rev.

ZENNE

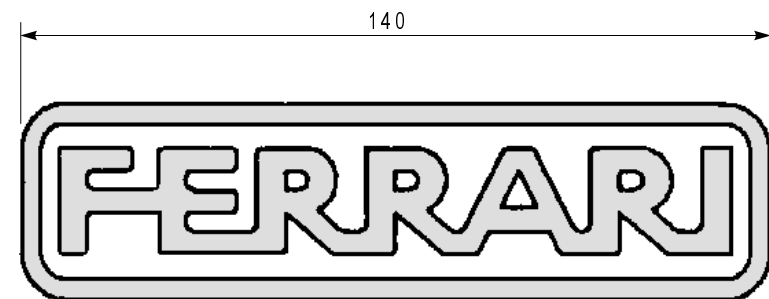
Pos.	Code	Q.ty	Description	Notes
53057666	53057666	1	POWERSAFE BRAND	
58052019	58052019	1	DECAL	
58052029	58052029	1	DECAL	
58052037	58052037	1	DECAL	
58052038	58052038	1	DECAL	
58052039	58052039	1	DECAL	
58052047	58052047	1	DECAL	
58052152	58052152	1	DECAL	
58052156	58052156	1	DECAL	



58052019



53052176 ★



58052029



53057666



58052037



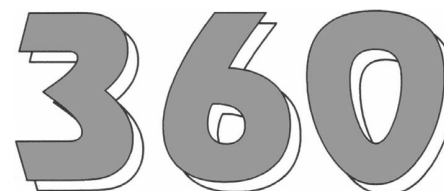
58052038



58052039



58052047



58052191 ★



58052152

FERRARI

300 serie **PS**
PowerSafe®

STICKERS
ADHESIVOS

ADESIVE

AUTOCOLLANTS
AUFKLEBES

DALLA MACCHINA
FROM THE MACHINE
DE LA MACHINE
DE LA MAQUINA
AB DER MASCHINE

★N.

AGGIORNAMENTO
REVISION
MISE A JOUR
APLAZAMIENTO
ANPASSUNG

R02

Rev.
1

11/2010

ZENNE

Pos.	Code	Q.ty	Description	Notes
53052176	53052176	1	BIG FERRARI BRAND	
53057666	53057666	1	POWERSAFE BRAND	
58052019	58052019	1	DECAL	
58052029	58052029	1	DECAL	
58052037	58052037	1	DECAL	
58052038	58052038	1	DECAL	
58052039	58052039	1	DECAL	
58052047	58052047	1	DECAL	
58052152	58052152	1	DECAL	
58052191	58052191	1	DECAL	

SPARE PARTS INSTANCE INDEX





SPARE PARTS INSTANCE INDEX

Code	Parts Table	Pos.	Q.ty	Code	Parts Table	Pos.	Q.ty	Code	Parts Table	Pos.	Q.ty
30000197	B.01.01.A0001_03	9	1	31112084	B01_0_66748	31112084	1	31121020	K.02.01.A0003_01	21	1
	B01_0_66748	30000197	1		B01_1_72788	31112084	1		K02_0_67241	31121020	1
	B01_1_72788	30000197	1		B01_2_77329	31112084	1		L.02.01.A0003_01	26	1
30000277	Q01_0_67569	30000277	1	31112085	A.01.01.A0003_01	10	1		L02_0_67324	31121020	1
	Q01_1_81859	30000277	1		A.01.01.A0003_02	8		31121024	L.02.01.A0003_01	9	1
30000295	Q01_0_67569	30000295	1		A01_0_66711	31112085	1		L02_0_67324	31121024	1
	Q01_1_81859	30000295	1	31112089	K.02.01.A0003_01	1	1	31121558	Q01_0_67569	31121558	0
30010142	M02_0_67438	30010142	1		K02_0_67241	31112089	1		Q01_1_81859	31121558	0
30040133	G01_0_66844	30040133	1	31112090	L.02.01.A0003_01	16	1	31132562	G01_0_66844	31132562	1
31100015	F01_0_66821	31100015	1		L02_0_67324	31112090	1	31152060	B.01.01.A0001_03	24	1
	F01_1_77388	31100015	1		N.01.01.A0003_01	3	1		B01_0_66748	31152060	1
31100023	E01_0_66804	31100023	1		N01_0_67516	31112090	1		B01_1_72788	31152060	1
	E01_1_77371	31100023	1	31112099	D.01.01.A0001_02	2	1		B01_2_77329	31152060	1
31100029	E01_0_66804	31100029	1		D01_0_66794	31112099	1	31152063	B.01.01.A0001_03	1	1
	E01_1_77371	31100029	1		D01_1_77361	31112099	1		B01_0_66748	31152063	1
31100031	E01_0_66804	31100031	1	31112152	M02_0_67438	31112152	1		B01_1_72788	31152063	1
	E01_1_77371	31100031	1	31112154	A.01.01.A0003_01	1	1		B01_2_77329	31152063	1
31100201	Q01_0_67569	31100201	1		A.01.01.A0003_02	11		31152081	A.01.01.A0003_02	1	
	Q01_1_81859	31100201	1		A.01.01.A0003_03	10			A.01.01.A0003_03	1	
31100451	A.01.01.A0003_01	12	1		A01_0_66711	31112154	1	31152085	N.01.01.A0003_01	5	1
	A.01.01.A0003_02	15		31112165	J02_0_67169	31112165	1		N01_0_67516	31152085	1
	A.01.01.A0003_03	14		31112166	I01_0_67010	31112166	1	31152090	E01_0_66804	31152090	1
	J02_0_67169	31100451	1	31112167	I01_0_67010	31112167	1		E01_1_77371	31152090	1
	L.02.01.A0003_01	22	1	31112171	A.01.01.A0003_01	4	1	31211080	L.02.01.A0003_01	19	1
	L02_0_67324	31100451	1		A.01.01.A0003_02	4			L02_0_67324	31211080	1
	M02_0_67438	31100451	1		A.01.01.A0003_03	4		31211100	I01_0_67010	31211100	1
31104022	F01_0_66821	31104022	1		A01_0_66711	31112171	1		P01_0_67539	31211100	1
	F01_1_77388	31104022	1	31112211	H.02.02.A0003_01	24			P01_1_81340	31211100	1
31111217	M02_0_67438	31111217	1		H02_0_66927	31112211	1	31221121	G.01.01.A0003_01	8	1
31111229	J02_0_67169	31111229	1	31112293	J02_0_67169	31112293	1		G01_0_66844	31221121	1
31112081	A.01.01.A0003_03	7		31121008	A.01.01.A0003_01	7	1	31241042	L.02.01.A0003_01	5	1
31112083	G.01.01.A0003_01	1	1		A.01.01.A0003_02	7			L02_0_67324	31241042	1
	G01_0_66844	31112083	1		A.01.01.A0003_03	6		31241060	A.01.01.A0003_01	3	1
31112084	B.01.01.A0001_03	16	1		A01_0_66711	31121008	1		A.01.01.A0003_02	3	



SPARE PARTS INSTANCE INDEX

Code	Parts Table	Pos.	Q.ty	Code	Parts Table	Pos.	Q.ty	Code	Parts Table	Pos.	Q.ty
31241060	A01_0_66711	31241060	1	31312097	F01_1_77388	31312097	1	31480184	G01_0_66844	31480184	1
	K.02.01.A0003_01	13	1	31312102	I01_0_67010	31312102	1	31510099	A01_0_66711	31510099	1
	K02_0_67241	31241060	1	31312103	P01_0_67539	31312103	1	31510100	A.01.01.A0003_01	14	1
	Q01_0_67569	31241060	1		P01_1_81340	31312103	1		A.01.01.A0003_02	13	
	Q01_1_81859	31241060	1	31312124	G01_0_66844	31312124	1		A.01.01.A0003_03	12	
31241065	K.02.01.A0003_01	8	1	31312125	G.01.01.A0003_01	6	1		A01_0_66711	31510100	1
	K02_0_67241	31241065	1		G01_0_66844	31312125	1	34110028	M02_0_67438	34110028	1
31241066	A.01.01.A0003_03	3		31411064	Q01_0_67569	31411064	1	34211042	H.02.02.A0003_01	17	
31241080	J02_0_67169	31241080	1		Q01_1_81859	31411064	1		H02_0_66927	34211042	1
31241083	F01_0_66821	31241083	1	31411090	Q01_0_67569	31411090	1	34213020	M02_0_67438	34213020	1
	F01_1_77388	31241083	1		Q01_1_81859	31411090	1	34213024	M02_0_67438	34213024	1
31241084	A.01.01.A0003_01	2	1	31411104	M02_0_67438	31411104	1	34213060	H.02.02.A0003_01	19	
	A.01.01.A0003_02	2		31414130	M02_0_67438	31414130	1		H02_0_66927	34213060	1
	A.01.01.A0003_03	2		31421083	E01_0_66804	31421083	1	34213061	H.02.02.A0003_01	21	
	A01_0_66711	31241084	1		E01_1_77371	31421083	1		H02_0_66927	34213061	1
	G.01.01.A0003_01	5	1	31421100Z	J02_0_67169	31421100	1	34221040	B.01.01.A0001_03	5	1
	G01_0_66844	31241084	1	31421101	H.02.02.A0003_01	25			B01_0_66748	34221040	1
	L.02.01.A0003_01	24	1		H02_0_66927	31421101	1		B01_1_72788	34221040	1
	L02_0_67324	31241084	1	31421130	I01_0_67010	31421130	1		B01_2_77329	34221040	1
	M02_0_67438	31241084	1	31421132	G.01.01.A0003_01	7	1	34311060	I01_0_67010	34311060	1
31241100	J02_0_67169	31241100	1		G01_0_66844	31421132	1	35111029	E01_0_66804	35111029	1
	M02_0_67438	31241100	1	31423084	F01_0_66821	31423084	1		E01_1_77371	35111029	1
31241120	I01_0_67010	31241120	1		F01_1_77388	31423084	1	35111052	H.02.02.A0003_01	30	
31241126	J02_0_67169	31241126	1		M02_0_67438	31423084	1		H02_0_66927	35111052	1
31312073	F01_0_66821	31312073	1	31423105	I01_0_67010	31423105	1		I01_0_67010	35111052	1
	F01_1_77388	31312073	1		P01_0_67539	31423105	1	35111055	H.02.02.A0003_01	8	
31312082	G.01.01.A0003_01	13	1		P01_1_81340	31423105	1		H02_0_66927	35111055	1
	G01_0_66844	31312082	1	31480180	B01_0_66748	31480180	1	35121031	H.02.02.A0003_01	6	
	M02_0_67438	31312082	1		B01_1_72788	31480180	1		H02_0_66927	35121031	1
31312086	G.01.01.A0003_01	11	1	31480184	B.01.01.A0001_03	10	1	35211050	B.01.01.A0001_03	17	1
	G01_0_66844	31312086	1		B01_0_66748	31480184	1		B01_0_66748	35211050	1
31312094	G.01.01.A0003_01	3	1		B01_1_72788	31480184	1		B01_1_72788	35211050	1
	G01_0_66844	31312094	1		B01_2_77329	31480184	1		B01_2_77329	35211050	1
31312097	F01_0_66821	31312097	1		G.01.01.A0003_01	10	1	35211060	B.01.01.A0001_03	15	1

SPARE PARTS INSTANCE INDEX

Code	Parts Table	Pos.	Q.ty	Code	Parts Table	Pos.	Q.ty	Code	Parts Table	Pos.	Q.ty
35211060	B01_0_66748	35211060	1	38111872	E01_1_77371	38111872	1	39115012	P01_1_81340	39115012	1
	B01_1_72788	35211060	1	38118859	C.01.01.A0001_02	1	1	39116018	P01_0_67539	39116018	1
	B01_2_77329	35211060	1		C01_0_66780	38118859	1		P01_1_81340	39116018	1
35211120	H.02.02.A0003_01	31			C01_1_72820	38118859	1	39116020	P01_0_67539	39116020	1
	H02_0_66927	35211120	1	38119823	F01_0_66821	38119823	1		P01_1_81340	39116020	1
37111150	H.02.02.A0003_01	1			F01_1_77388	38119823	1	39414008	P01_0_67539	39414008	1
	H02_0_66927	37111150	1	38120500	C.01.01.A0001_02	9	1		P01_1_81340	39414008	1
37111152	H.02.02.A0003_01	34			C01_0_66780	38120500	1	39414010	P01_0_67539	39414010	1
	H02_0_66927	37111152	1		C01_1_72820	38120500	1		P01_1_81340	39414010	1
37111250	I01_0_67010	37111250	1	38140850	C.01.01.A0001_02	11	1	39415010	P01_0_67539	39415010	1
37111255	H.02.02.A0003_01	28			C01_0_66780	38140850	1		P01_1_81340	39415010	1
	H02_0_66927	37111255	1		C01_1_72820	38140850	1	39415012	P01_0_67539	39415012	1
37112229	H.02.02.A0003_01	7		38211400	B.01.01.A0001_03	19	1		P01_1_81340	39415012	1
	H02_0_66927	37112229	1		B01_0_66748	38211400	1	39416018	P01_0_67539	39416018	1
37141253	C.01.01.A0001_02	7	1		B01_1_72788	38211400	1		P01_1_81340	39416018	1
	C01_0_66780	37141253	1		B01_2_77329	38211400	1	39416020	P01_0_67539	39416020	1
	C01_1_72820	37141253	1		M02_0_67438	38211400	1		P01_1_81340	39416020	1
37161500	C.01.01.A0001_02	3	1	38211500	H.02.02.A0003_01	23		51156214	B.01.01.A0001_03	2	1
	C01_0_66780	37161500	1	38212500	F01_0_66821	38212500	1		B01_0_66748	51156214	1
	C01_1_72820	37161500	1		F01_1_77388	38212500	1		B01_1_72788	51156214	1
37320120	H.02.02.A0003_01	14		38212502	I01_0_67010	38212502	1		B01_2_77329	51156214	1
	H02_0_66927	37320120	1	38213202	F01_0_66821	38213202	1	52156810Z	L.02.01.A0003_01	30	1
37910832	H.02.02.A0003_01	12			F01_1_77388	38213202	1		L02_0_67324	52156810	1
	H02_0_66927	37910832	1	38213500	F01_0_66821	38213500	1	52156825N	I01_0_67010	52156825	1
37911532	M02_0_67438	37911532	1		F01_1_77388	38213500	1	52156917	J02_0_67169	52156917	1
38110675	E01_0_66804	38110675	1	38213800	H.02.02.A0003_01	9		52357250	M02_0_67438	52357250	1
	E01_1_77371	38110675	1		H02_0_66927	38213800	1	52456211	C01_0_66780	52456211	1
38110873	D.01.01.A0001_02	4	1	39114008	P01_0_67539	39114008	1	52456217	B.01.01.A0001_03	3	1
	D01_0_66794	38110873	1		P01_1_81340	39114008	1		B01_0_66748	52456217	1
	D01_1_77361	38110873	1	39114010	P01_0_67539	39114010	1		B01_1_72788	52456217	1
	F01_0_66821	38110873	1		P01_1_81340	39114010	1		B01_2_77329	52456217	1
	F01_1_77388	38110873	1	39115010	P01_0_67539	39115010	1	52456220	B.01.01.A0001_03	20	1
38111191	M02_0_67438	38111191	1		P01_1_81340	39115010	1		B01_0_66748	52456220	1
38111872	E01_0_66804	38111872	1	39115012	P01_0_67539	39115012	1		B01_1_72788	52456220	1



SPARE PARTS INSTANCE INDEX

Code	Parts Table	Pos.	Q.ty	Code	Parts Table	Pos.	Q.ty	Code	Parts Table	Pos.	Q.ty
52456220	B01_2_77329	52456220	1	52456389	H.02.02.A0003_01	20		53156210	C01_1_72820	53156210	1
52456223	B.01.01.A0001_03	4	1		H02_0_66927	52456389	1	53156218	C.01.01.A0001_02	10	1
	B01_0_66748	52456223	1	52456390	H.02.02.A0003_01	22			C01_0_66780	53156218	1
	B01_1_72788	52456223	1		H02_0_66927	52456390	1		C01_1_72820	53156218	1
	B01_2_77329	52456223	1	52456694	C.01.01.A0001_02	6	1	53156332V	G.01.01.A0003_01	4	1
52456233	E01_0_66804	52456233	1		C01_1_72820	52456694	1		G01_0_66844	53156332	1
	E01_1_77371	52456233	1	52456706	H.02.02.A0003_01	5		53156342V	G01_0_66844	53156342	1
52456234	E01_0_66804	52456234	1	53052175	R.02.01.A0003_02	3	1	53156659	D.01.01.A0001_02	3	1
	E01_1_77371	52456234	1	53052176	R.02.01.A0003_02	5	1	53156826N	I01_0_67010	53156826	1
52456235	B.01.01.A0001_03	29	1		R02_1_82042	53052176	1	53156860	L.02.01.A0003_01	13	1
	B01_0_66748	52456235	1	53057666	R.02.01.A0003_02	1	1		L02_0_67324	53156860	1
	B01_1_72788	52456235	1		R02_0_67613	53057666	1	532C0055	F01_1_77388	532C005	1
	B01_2_77329	52456235	1		R02_1_82042	53057666	1	54143090	I01_0_67010	54143090	1
52456236	F01_0_66821	52456236	1	53057670	R.02.01.A0003_02	2	1	55102678	G.01.01.A0003_01	14	1
	F01_1_77388	52456236	1	530C0056	R.02.01.A0003_02	4	1		G01_0_66844	55102678	1
52456237	F01_0_66821	52456237	1	53143128V	G.01.01.A0003_01	18	1	55157212	J02_0_67169	55157212	1
	F01_1_77388	52456237	1		G01_0_66844	53143128	1		L.02.01.A0003_01	14	1
52456243	E01_0_66804	52456243	1	53143712	P01_0_67539	53143712	1		L02_0_67324	55157212	1
	E01_1_77371	52456243	1		P01_1_81340	53143712	1		M02_0_67438	55157212	1
52456245	E01_0_66804	52456245	1	53143875V	G.01.01.A0003_01	18	1	55157213	J02_0_67169	55157213	1
	E01_1_77371	52456245	1		G01_0_66844	53143875	1		L.02.01.A0003_01	21	1
52456335	H.02.02.A0003_01	10		53156203V	G.01.01.A0003_01	16	1		L02_0_67324	55157213	1
	H02_0_66927	52456335	1		G01_0_66844	53156203	1		M02_0_67438	55157213	1
52456339	H.02.02.A0003_01	33		53156205	F01_0_66821	53156205	1	55157214	L.02.01.A0003_01	31	1
	H02_0_66927	52456339	1		F01_1_77388	53156205	1		L02_0_67324	55157214	1
52456349	H.02.02.A0003_01	26		53156206	F01_0_66821	53156206	1	55157215	L.02.01.A0003_01	29	1
	H02_0_66927	52456349	1		F01_1_77388	53156206	1		L02_0_67324	55157215	1
52456354	H.02.02.A0003_01	35		53156207	F01_0_66821	53156207	1	55242528	M02_0_67438	55242528	1
	H02_0_66927	52456354	1		F01_1_77388	53156207	1	55243340	J02_0_67169	55243340	1
52456361	H.02.02.A0003_01	32		53156209	D.01.01.A0001_02	3	1	55248379	M02_0_67438	55248379	1
	H02_0_66927	52456361	1		D01_0_66794	53156209	1	55252405	A.01.01.A0003_01	17	1
52456362	H02_0_66927	52456362	1		D01_1_77361	53156209	1		A.01.01.A0003_02	19	
52456370	H.02.02.A0003_01	3		53156210	C.01.01.A0001_02	8	1		A.01.01.A0003_03	18	
	H02_0_66927	52456370	1		C01_0_66780	53156210	1		A01_0_66711	55252405	1



SPARE PARTS INSTANCE INDEX

Code	Parts Table	Pos.	Q.ty	Code	Parts Table	Pos.	Q.ty	Code	Parts Table	Pos.	Q.ty
55252406	A.01.01.A0003_01	16	1	56148218N	N.01.01.A0003_01	1	1	56156792N	M02_0_67438	56156792	1
	A.01.01.A0003_02	18			N01_0_67516	56148218	1	56156827N	I01_0_67010	56156827	1
	A.01.01.A0003_03	17		56148287	L.02.01.A0003_01	6	1	56156832Z	L.02.01.A0003_01	23	1
	A01_0_66711	55252406	1		L02_0_67324	56148287	1		L02_0_67324	56156832	1
55252415	A01_0_66711	55252415	1	56148470N	K.02.01.A0003_01	4	1	56156834Z	L.02.01.A0003_01	8	1
55252503	A.01.01.A0003_01	15	1		K02_0_67241	56148470	1		L02_0_67324	56156834	1
	A.01.01.A0003_02	17		56149590	Q01_0_67569	56149590	1	56156859Z	L.02.01.A0003_01	27	1
	A.01.01.A0003_03	16			Q01_1_81859	56149590	1		L02_0_67324	56156859	1
55252504	A.01.01.A0003_02	14		56156136Z	A.01.01.A0003_02	12		56156874N	K.02.01.A0003_01	16	1
	A.01.01.A0003_03	13			A.01.01.A0003_03	11			K02_0_67241	56156874	1
55256185	K.02.01.A0003_01	7	1	56156195H	M02_0_67438	56156195	1	56156940	J02_0_67169	56156940	1
	K02_0_67241	55256185	1	56156224	B.01.01.A0001_03	23	1	56156948N	J02_0_67169	56156948	1
55256197	L.02.01.A0003_01	10	1		B01_0_66748	56156224	1	56157257Z	M02_0_67438	56157257	1
	L02_0_67324	55256197	1		B01_1_72788	56156224	1	56157271N	M02_0_67438	56157271	1
55256228	B.01.01.A0001_03	13	1		B01_2_77329	56156224	1	56157274	M02_0_67438	56157274	1
	B01_0_66748	55256228	1	56156246N	A.01.01.A0003_01	6	1	56157324N	M02_0_67438	56157324	1
	B01_1_72788	55256228	1		A.01.01.A0003_02	6		56157387	Q01_0_67569	56157387	1
	B01_2_77329	55256228	1		A.01.01.A0003_03	5			Q01_1_81859	56157387	1
55256835	L.02.01.A0003_01	2	1		A01_0_66711	56156246	1	56157399	A.01.01.A0003_01	9	1
	L02_0_67324	55256835	1	56156247	C.01.01.A0001_02	4	1		A.01.01.A0003_02	9	
55256836	L.02.01.A0003_01	1	1		C01_0_66780	56156247	1		A01_0_66711	56157399	1
	L02_0_67324	55256836	1		C01_1_72820	56156247	1	56343058	I01_0_67010	56343058	1
55257313	M02_0_67438	55257313	1	56156276	F01_0_66821	56156276	1	56347870Z	E01_0_66804	56347870	1
55257321	M02_0_67438	55257321	1		F01_1_77388	56156276	1		E01_1_77371	56347870	1
55257522	A.01.01.A0003_01	13	1	56156281	F01_0_66821	56156281	1	56347873	E01_0_66804	56347873	1
552C0029	Q01_1_81859	552C002	1		F01_1_77388	56156281	1		E01_1_77371	56347873	1
552C1001	A.01.01.A0003_03	8		56156288Z	E01_0_66804	56156288	1	56356184Z	K.02.01.A0003_01	5	1
56119937	Q01_0_67569	56119937	1		E01_1_77371	56156288	1		K02_0_67241	56356184	1
	Q01_1_81859	56119937	1	56156603Z	K.02.01.A0003_01	2	1	56356212	C01_0_66780	56356212	1
56137370	Q01_0_67569	56137370	1		K02_0_67241	56156603	1	56356215	C01_0_66780	56356215	1
	Q01_1_81859	56137370	1	56156658	B.01.01.A0001_03	26	1	56356216	C.01.01.A0001_02	2	1
56143059	I01_0_67010	56143059	1		B01_0_66748	56156658	1		C01_0_66780	56356216	1
56147520Z	G.01.01.A0003_01	2	1		B01_1_72788	56156658	1		C01_1_72820	56356216	1
	G01_0_66844	56147520	1		B01_2_77329	56156658	1	56356239	F01_0_66821	56356239	1



SPARE PARTS INSTANCE INDEX

Code	Parts Table	Pos.	Q.ty	Code	Parts Table	Pos.	Q.ty	Code	Parts Table	Pos.	Q.ty
56356239	F01_1_77388	56356239	1	56456475	H02_0_66927	56456475	1	58048009	L02_0_67324	58048009	1
56356240	F01_0_66821	56356240	1	56456657	B.01.01.A0001_03	25	1	58048214	N.01.01.A0003_01	2	1
	F01_1_77388	56356240	1		B01_0_66748	56456657	1		N01_0_67516	58048214	1
56356242	B.01.01.A0001_03	28	1		B01_1_72788	56456657	1	58048215	N.01.01.A0003_01	7	1
	B01_0_66748	56356242	1		B01_2_77329	56456657	1		N01_0_67516	58048215	1
	B01_1_72788	56356242	1	56456736	H.02.02.A0003_01	13		58048330	P01_1_81340	58048330	1
	B01_2_77329	56356242	1	56556213	C.01.01.A0001_02	5	1	58049505	L.02.01.A0003_01	33	1
56356328	H.02.02.A0003_01	29			C01_0_66780	56556213	1		L02_0_67324	58049505	1
	H02_0_66927	56356328	1		C01_1_72820	56556213	1	58049541	Q01_0_67569	58049541	1
56356329	H.02.02.A0003_01	29		56556282	E01_0_66804	56556282	1		Q01_1_81859	58049541	1
	H02_0_66927	56356329	1		E01_1_77371	56556282	1	58049830	L.02.01.A0003_01	28	1
56356330	H.02.02.A0003_01	29		58002538	K.02.01.A0003_01	15	1		L02_0_67324	58049830	1
	H02_0_66927	56356330	1		K02_0_67241	58002538	1	58050345	K.02.01.A0003_01	3	1
56356331	H.02.02.A0003_01	29		58042746	P01_1_81340	58042746	1		K02_0_67241	58050345	1
	H02_0_66927	56356331	1	58043053	G.01.01.A0003_01	12	1	58052019	R02_0_67613	58052019	1
56356348	H.02.02.A0003_01	16			G01_0_66844	58043053	1		R02_1_82042	58052019	1
	H02_0_66927	56356348	1	58043086	H.02.02.A0003_01	18		58052029	R02_0_67613	58052029	1
56356661	B.01.01.A0001_03	22	1		H02_0_66927	58043086	1		R02_1_82042	58052029	1
	B01_0_66748	56356661	1	58043117	G.01.01.A0003_01	17	1	58052037	R02_0_67613	58052037	1
	B01_1_72788	56356661	1		G01_0_66844	58043117	1		R02_1_82042	58052037	1
	B01_2_77329	56356661	1	58043176	M02_0_67438	58043176	1	58052038	R02_0_67613	58052038	1
56356833Z	L.02.01.A0003_01	11	1	58043250	P01_1_81340	58043250	1		R02_1_82042	58052038	1
	L02_0_67324	56356833	1	58044804	P01_1_81340	58044804	1	58052039	R02_0_67613	58052039	1
56356840Z	L.02.01.A0003_01	15	1	58045804	Q01_0_67569	58045804	1		R02_1_82042	58052039	1
	L02_0_67324	56356840	1		Q01_1_81859	58045804	1	58052047	R02_0_67613	58052047	1
	N.01.01.A0003_01	4	1	58045807	Q01_0_67569	58045807	1		R02_1_82042	58052047	1
	N01_0_67516	56356840	1		Q01_1_81859	58045807	1	58052152	R02_0_67613	58052152	1
56356858Z	L.02.01.A0003_01	12	1	58047460	Q01_0_67569	58047460	1		R02_1_82042	58052152	1
	L02_0_67324	56356858	1		Q01_1_81859	58047460	1	58052156	R02_0_67613	58052156	1
56356924	J02_0_67169	56356924	1	58047712	L.02.01.A0003_01	7	1	58052178	R.02.01.A0003_02	6	1
56456347	H.02.02.A0003_01	15			L02_0_67324	58047712	1	58052179	R.02.01.A0003_02	7	1
	H02_0_66927	56456347	1	58048000	K.02.01.A0003_01	6	1	58052180	R.02.01.A0003_02	9	1
56456351	H02_0_66927	56456351	1		K02_0_67241	58048000	1	58052181	R.02.01.A0003_02	11	1
56456475	H.02.02.A0003_01	27		58048009	L.02.01.A0003_01	4	1	58052182	R.02.01.A0003_02	12	1



SPARE PARTS INSTANCE INDEX

Code	Parts Table	Pos.	Q.ty	Code	Parts Table	Pos.	Q.ty	Code	Parts Table	Pos.	Q.ty
58052191	R.02.01.A0003_02	13	1	58056222	B01_2_77329	58056222	1	58057232Z	M02_0_67438	58057232	1
	R02_1_82042	58052191	1	58056238	B01_0_66748	58056238	1	58057266	A.01.01.A0003_01	5	1
58052192	R.02.01.A0003_02	10	1	58056249	D01_0_66794	58056249	1		A.01.01.A0003_02	5	
58052193	R.02.01.A0003_02	8	1	58056391	H.02.02.A0003_01	11			A01_0_66711	58057266	1
58052288	P01_0_67539	58052288	1		H02_0_66927	58056391	1	58057273	M02_0_67438	58057273	1
58052326	P01_0_67539	58052326	1	58056593	K.02.01.A0003_01	11	1	58057386	Q01_0_67569	58057386	1
58052327	P01_0_67539	58052327	1		K02_0_67241	58056593	1		Q01_1_81859	58057386	1
58052328	P01_0_67539	58052328	1	58056595	L.02.01.A0003_01	18	1	58057450	R01_0_67594	58057450	1
58052332	P01_0_67539	58052332	1		L02_0_67324	58056595	1	58057451	R01_0_67594	58057451	1
	P01_1_81340	58052332	1	58056683	B.01.01.A0001_03	27	1	58057610	Q01_0_67569	58057610	1
58056154	K.02.01.A0003_01	17	1	58056798Z	B01_0_66748	58056798	1	58057625	R01_0_67594	58057625	1
	K02_0_67241	58056154	1		B01_1_72788	58056798	1	58057676	R01_0_67594	58057676	1
58056155	K.02.01.A0003_01	17	1	58056811	K02_0_67241	58056811	1	58057677	R01_0_67594	58057677	1
	K02_0_67241	58056155	1	58056812	K.02.01.A0003_01	18	1	58057724	R01_0_67594	58057724	1
58056186Z	K.02.01.A0003_01	10	1		K02_0_67241	58056812	1	58057732	R01_0_67594	58057732	1
	K02_0_67241	58056186	1	58056815	K.02.01.A0003_01	18	1	58057746	R01_0_67594	58057746	1
58056190	K.02.01.A0003_01	12	1	58056837	L.02.01.A0003_01	3	1	58057747	R01_0_67594	58057747	1
	K02_0_67241	58056190	1		L02_0_67324	58056837	1	58057748	R01_0_67594	58057748	1
58056191	K.02.01.A0003_01	14	1	58056843	L.02.01.A0003_01	17	1	58057767	R01_0_67594	58057767	1
	K02_0_67241	58056191	1		L02_0_67324	58056843	1	58057768	R01_0_67594	58057768	1
58056192	B01_0_66748	58056192	1	58056848	L.02.01.A0003_01	32	1	58093089	R01_0_67594	58093089	1
	B01_1_72788	58056192	1		L02_0_67324	58056848	1	580C0041	B.01.01.A0001_03	7	1
	B01_2_77329	58056192	1	58056864	R01_0_67594	58056864	1		B01_2_77329	580C004	1
58056193	K.02.01.A0003_01	19	1	58056866	R01_0_67594	58056866	1	58135225	Q01_0_67569	58135225	0
	K02_0_67241	58056193	1	58056867	R01_0_67594	58056867	1		Q01_1_81859	58135225	0
58056208	D.01.01.A0001_02	1	1	58056868	R01_0_67594	58056868	1	58150313	K.02.01.A0003_01	9	1
	D01_1_77361	58056208	1	58056869	R01_0_67594	58056869	1		K02_0_67241	58150313	1
58056221	B.01.01.A0001_03	21	1	58056918	J02_0_67169	58056918	1	58157405	Q01_0_67569	58157405	1
	B01_0_66748	58056221	1	58056942N	J02_0_67169	58056942	1		Q01_1_81859	58157405	1
	B01_1_72788	58056221	1	58056991	A.01.01.A0003_01	8	1	58170021	B.01.01.A0001_03	6	1
	B01_2_77329	58056221	1		A.01.01.A0003_02	10			B01_0_66748	58170021	1
58056222	B.01.01.A0001_03	12	1		A.01.01.A0003_03	8			B01_1_72788	58170021	1
	B01_0_66748	58056222	1		A01_0_66711	58056991	1		B01_2_77329	58170021	1
	B01_1_72788	58056222	1		J02_0_67169	58056991	1	59048200N	N.01.01.A0003_01	6	1



SPARE PARTS INSTANCE INDEX

Code	Parts Table	Pos.	Q.ty
59048200N	N01_0_67516	59048200	1
59048208	N.01.01.A0003_01	8	1
59048208N	N01_0_67516	59048208	1
59053021G	A01_0_66711	59053021	1
59053021H	A.01.01.A0003_01	11	1
	A.01.01.A0003_02	16	
	A.01.01.A0003_03	15	
59053040G	A01_0_66711	59053040	1
59053040H	A.01.01.A0003_01	11	1
	A.01.01.A0003_02	16	
	A.01.01.A0003_03	15	
59056127G	A01_0_66711	59056127	1
59056127H	A.01.01.A0003_01	11	1
	A.01.01.A0003_02	16	
	A.01.01.A0003_03	15	
59056225Z	B.01.01.A0001_03	14	1
	B01_0_66748	59056225	1
	B01_1_72788	59056225	1
	B01_2_77329	59056225	1
59056230Z	B01_0_66748	59056230	1
	B01_1_72788	59056230	1
	B01_2_77329	59056230	1
59056248	G.01.01.A0003_01	9	1
	G01_0_66844	59056248	1
59056298Z	B.01.01.A0001_03	18	1
59056365	H02_0_66927	59056365	1
59056384	H.02.02.A0003_01	2	
	H02_0_66927	59056384	1
59056672	G.01.01.A0003_01	15	1
	G01_0_66844	59056672	1
59056707	H.02.02.A0003_01	4	
59056793N	J02_0_67169	59056793	1
59056820N	J02_0_67169	59056820	1
59056830	I01_0_67010	59056830	1

Code	Parts Table	Pos.	Q.ty
59056920	M02_0_67438	59056920	1
59057010N	J02_0_67169	59057010	1
59057251N	M02_0_67438	59057251	1
59057319	M02_0_67438	59057319	1
59057390	Q01_0_67569	59057390	1
	Q01_1_81859	59057390	1
59057604	Q01_0_67569	59057604	1
	Q01_1_81859	59057604	1
59256035	D.01.01.A0001_02	5	1
	D01_0_66794	59256035	1
	D01_1_77361	59256035	1
59256036	D.01.01.A0001_02	5	1
	D01_0_66794	59256036	1
	D01_1_77361	59256036	1
59256037	D.01.01.A0001_02	5	1
	D01_0_66794	59256037	1
	D01_1_77361	59256037	1
59256038	D.01.01.A0001_02	5	1
	D01_0_66794	59256038	1
	D01_1_77361	59256038	1
59256039	D.01.01.A0001_02	5	1
	D01_0_66794	59256039	1
	D01_1_77361	59256039	1
59256175	K.02.01.A0003_01	20	1
	K02_0_67241	59256175	1
59256180	L.02.01.A0003_01	20	1
	L02_0_67324	59256180	1
59256200	B.01.01.A0001_03	11	1
	B01_0_66748	59256200	1
	B01_1_72788	59256200	1
	B01_2_77329	59256200	1
59256693	C.01.01.A0001_02	12	1
	C01_1_72820	59256693	1
59256850	L.02.01.A0003_01	25	1

Code	Parts Table	Pos.	Q.ty
59256850	L02_0_67324	59256850	1
92249993	P01_0_67539	92249993	1
	P01_1_81340	92249993	1
92480703	P01_0_67539	92480703	1
	P01_1_81340	92480703	1
92480719	P01_0_67539	92480719	1
	P01_1_81340	92480719	1
92480720	P01_0_67539	92480720	1
	P01_1_81340	92480720	1
92480721	P01_0_67539	92480721	1
	P01_1_81340	92480721	1
92480757	P01_0_67539	92480757	1
	P01_1_81340	92480757	1
92480758	P01_0_67539	92480758	1
	P01_1_81340	92480758	1
92480836	P01_0_67539	92480836	1
	P01_1_81340	92480836	1
F0803067000	F01_0_66821	F0803067	1
	F01_1_77388	F0803067	1
F0803075500	F01_0_66821	F0803075	1
	F01_1_77388	F0803075	1
F0825500200	Q01_0_67569	F0825500	1
	Q01_1_81859	F0825500	1
F0825500210	Q01_0_67569	F0825500	1
	Q01_1_81859	F0825500	1
F0825500220	Q01_0_67569	F0825500	1
	Q01_1_81859	F0825500	1
F0831193010	M02_0_67438	F0831193	1
F0844273090	B.01.01.A0001_03	8	1
	B01_0_66748	F0844273	1
	B01_1_72788	F0844273	1
	B01_2_77329	F0844273	1